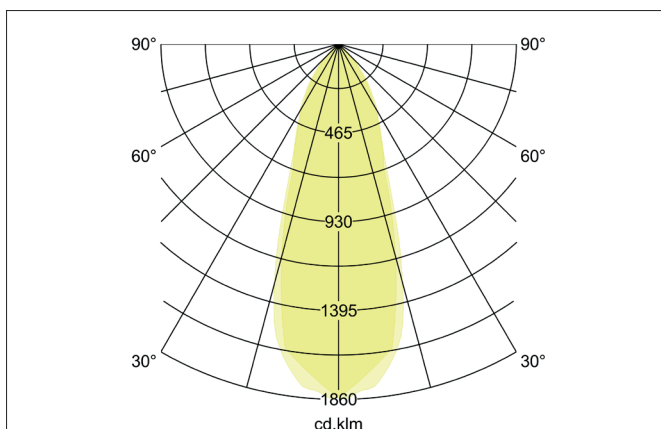
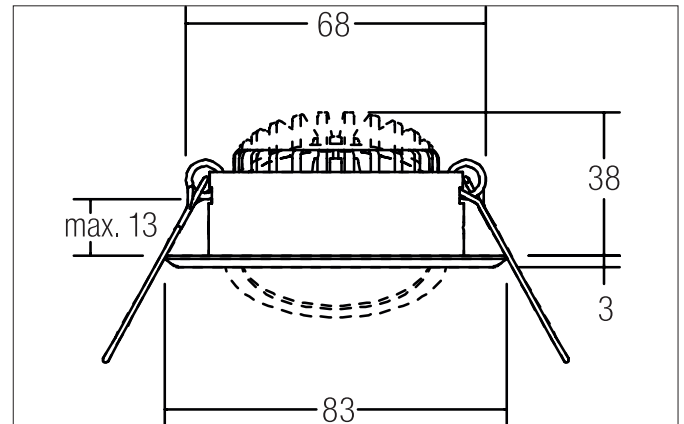
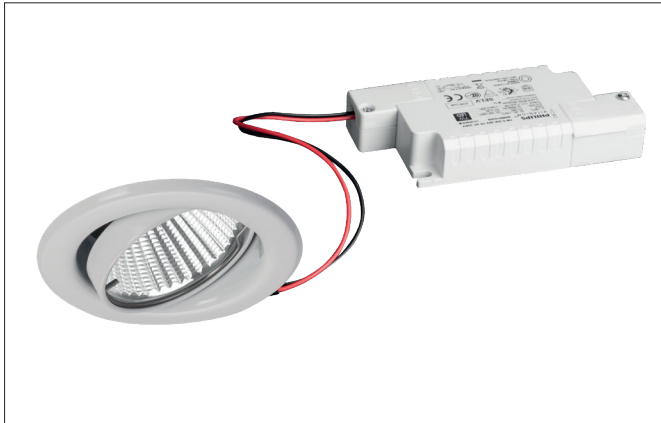


BB09 LED recessed spot set BB09, phase dimmable
 Artikel-Nr. 39369073

 Licht.
 Für Generationen.

Tender

LED recessed spot set BB09, phase dimmable, white, round. In a compact design, for installation in tool-less rapid assembly systems. Set including a converter for 230-V mains voltage, trailing-edge phase dimmable, dimensions of converter: L 110 x W 50 x H 19 mm. Mounting method: Recessed mounting, Place of installation: Ceiling-mounted, Material: Stainless steel / Aluminium / Plastic, Degree of protection: according to DIN EN 60529 IP20, Protection class: (EN 61140) II, Voltage: 230V AC 50Hz, Power: 6W, Amount of light sources / fittings: 1.0 Qty, Luminous flux: 640lm, Colour temperature: 3.000 K, Light colour : White, Beam angle: 38°, Adjustability: Pivoted, With control gear: Yes, Control: Trailing-edge phase.

Article data	
Artikel-Nr.	39369073
GTIN	4251433916970
Series name	BB09
Kurzbeschreibung	LED recessed spot set BB09, phase dimmable
Material	Stainless steel / Aluminium / Plastic
Colour	White
Type of surface	Glossy
Shape	round
Outer diameter	82 mm
Built-in diameter	68 mm
Installation depth	38 mm
weight	0.157 kg

BB09 LED recessed spot set BB09, phase dimmable

Artikel-Nr. 39369073

Licht.
Für Generationen.

Lighting technology	
Colour temperature	3000 K
Light colour	White
Light output	Direct
Luminous flux	640 lm
System efficiency	107 lm/W
Colour rendering	CRI > 80
Reflector	High-gloss
Beam angle	38 °
Light sharing	Symmetric

Operating technology of the luminaires	
System output	6 W
Voltage type	AC
AC nominal voltage max	230 V
Frequenz max.	50 Hz
Lamp	LED
Protection class	II
Degree of protection	IP20
Control	Trailing-edge phase
Leuchtmittelwechsel möglich	ja

Operating technology of driver	
AC nominal voltage max	230 V
Frequenz max.	50 Hz
Protection class	II
Degree of protection	IP20
Control	Trailing-edge phase

Mounting technology	
Mounting method	Recessed mounting
Place of installation	Ceiling-mounted
Adjustability	Pivoted
Swivel angle	25°
Further references	No cover with thermal insulation material

Packing data	
Gross weight	0.189 kg
Length of packaging	95 mm
Packaging width	75 mm
Packaging height	95 mm