

Motion detector

IS 180-2

Silver

EAN 4007841 603618

Article number 603618



infrared sensor
180°



max. 12 m

1000 W

1000 W max.
(LED-ready)



IP54



2 - 2000 lux



5 sec - 15 min



Ideal 2 m



in-/ outside corner
bracket included



energy saving

3 years

manufacturer's
warranty
steinel.de/garantie3y

Function description

Homeowner's darling. Infrared wall sensor IS 180-2, for indoors and out, ideal for expansive building fronts and driveways, suitable for corner mounting with corner wall mount, 180° angle of coverage, reach can be set up to 12 m or up to 5 m, selectable time and twilight threshold, detection zone can be customised with shrouds.

Motion detector

IS 180-2

Silver

EAN 4007841 603618

Article number 603618



Technical specifications

| | |
|--|---|
| Type | Motion detectors |
| Dimensions (L x W x H) | 56 x 76 x 120 mm |
| Mains power supply | 230 V / 50 Hz |
| Sensor Technology | passive infrared |
| Application, place | Indoors, Outdoors |
| Installation site | wall, corner |
| Installation | Surface wiring |
| Mounting height | 1,80 – 4,00 m |
| Reach, radial | $r = 1.5 \text{ m} (4 \text{ m}^2) / r = 3 \text{ m} (14 \text{ m}^2)$ |
| Reach, tangential | $r = 5 \text{ m} (39 \text{ m}^2) / r = 12 \text{ m} (226 \text{ m}^2)$ |
| Detection angle | 180 ° |
| Angle of aperture | 90 ° |
| Switching zones | 504 switching zones |
| Optimum mounting height | 2 m |
| Mechanical scalability | No |
| Sneak-by guard | Yes |
| Capability of masking out individual segments | Yes |
| Electronic scalability | No |
| Twilight setting TEACH | No |
| Twilight setting | 2 – 2000 lx |
| Time setting | 5 s – 15 Min. |
| Output | 1000 W |
| Switching output 1, resistive | 1000 W |
| Switching output 1, number of LEDs / fluorescent lamps | 6 pcs. |

| | |
|---|---|
| Fluorescent lamps, electronic ballast | 1000 W |
| Fluorescent lamps, uncorrected | 500 VA |
| Fluorescent lamps, series-corrected | 406 VA |
| Fluorescent lamps, parallel-corrected | 406 VA |
| Switching output 1, low-voltage halogen lamps | 1000 VA |
| LED lamps | 16 W |
| LED lamps > 2 W | 64 W |
| LED lamps > 8 W | 64 W |
| Capacitive load in μF | 132 μF |
| Constant-lighting control | No |
| Basic light level function | No |
| Settings via | Potentiometers |
| With remote control | No |
| Interconnection | Yes |
| Type of interconnection | Master/master |
| IP-rating | IP54 |
| Material | Plastic |
| Ambient temperature | -20 – 50 °C |
| Application, room | outdoors, front door, all round the building, terrace / balcony, courtyard & driveway |
| Colour | Stainless steel |
| Colour, RAL | 9006 |
| Manufacturer's Warranty | 3 years |
| Version | Silver |
| PU1, EAN | 4007841603618 |

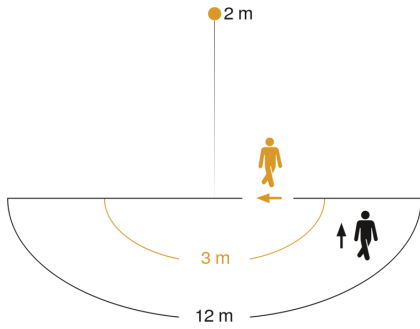
Motion detector

IS 180-2

Silver
EAN 4007841 603618
Article number 603618

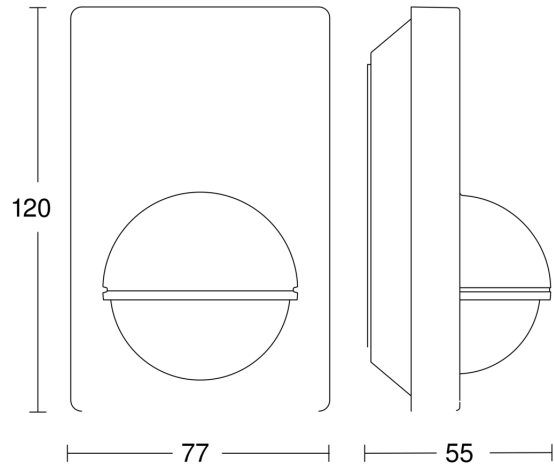


Detection Zone

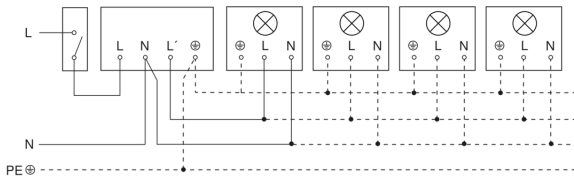


Mögliche Montagehöhe: 1,80 m – 4,00 m
Orange: radial
Schwarz: tangential

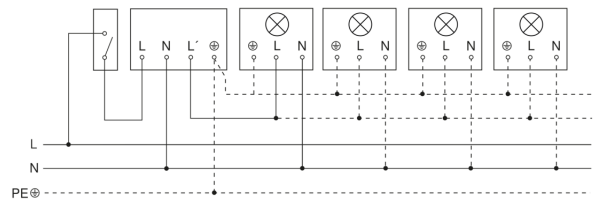
Dimension Drawing



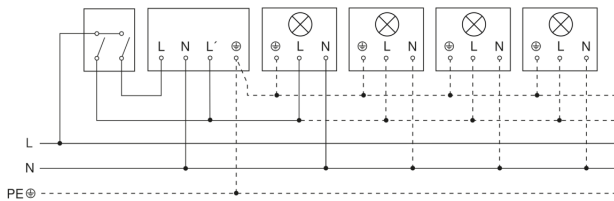
Light without neutral conductor



Light with neutral conductor



Connection using two-circuit switch for manual and automatic operation



Connection via a two-way switch for manual override and automatic operation

