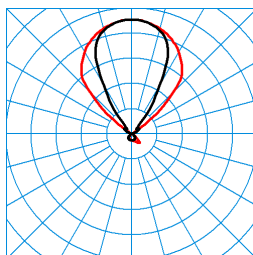


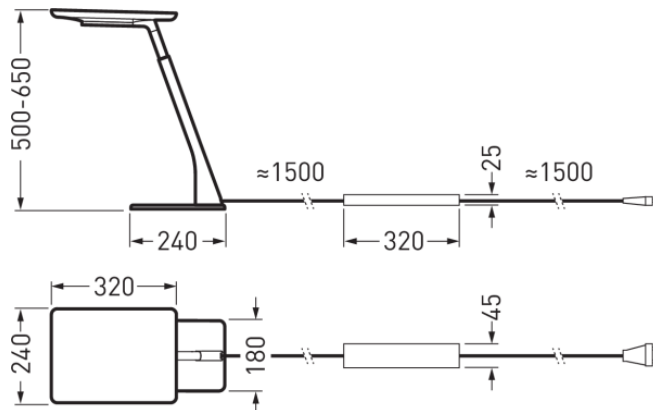
Bicult Act T SMS TGCS 5500 ETDI 05 EU

TOC: 7094159



TX057057
 UGR I = 12.3
 UGR q = 11.5
 DIN 5040: D54
 UTE: 0,10 D + 0,90 T

■ C0 - C180
 ■ C90 - C270



Offer text

Innovative desktop luminaire with direct light component for individual workstation illumination and indirect light component for general room lighting. With integrated light management for the synchronous daytime- and seasonally dependent control of light colour (circadian control) of both light emission surfaces. Operating the lighting functions is implemented manually via 3 operating elements and via Smartphone app. Especially suitable for equipping modern office environments and specifically for open space applications and open communication zones as a desktop luminaire for all types of fixed and height-adjustable desks, meeting tables and work tables. For lighting as part of home office applications oriented to requirements and compliant to occupational safety regulations. Also suitable for work areas with low levels of daylight supply. Triple Glare Control System (TGCS®) for glare-reduced, symmetric distribution indirect component with limited beam angle. With clear, highly scratch-resistant acrylic glass cover. Direct component with asymmetric wide light distribution with settable beam direction for optimum focusing of light on the workstation. With CDP cover. Glare evaluation (EN 12464-1) according to UGR < 16. The following information on luminaire luminous flux and power consumption of the system refer to operation of this luminaire with dynamic, settable light colour (HCL) in warm white light colour (2700 K) operating mode. Luminaire luminous flux 5580 lm, connected load 56,00 W, luminous efficiency of luminaire 100 lm/W. Division of luminaire luminous flux into indirect/direct components 90% / 10 %. Light colour variable (warm white - daylight white), correlated colour temperature (CCT) variable (2700 K - 6000 K), general colour rendering index (CRI) $R_a > 80$. Mean rated service life $L80(t_q 25\text{ }^\circ\text{C}) = 50,000\text{ h}$. Luminaire body of die-cast aluminium. Surface powder-coated satin matt, colour black (RAL 9005). Chromed operating elements. Dimensions of luminaire head 320 mm x 240 mm, Dimensions of luminaire base 240 mm x 180 mm, Luminaire height (continuously adjustable) 500 mm - 650 mm. Safety class (EN 61140): II, protection rating (DIN EN 60529): IP20, impact resistance level in accordance with IEC 62262: IK02, testing temperature of wire glow test in accordance with IEC 60695-2-11: 650 °C. Power adapter with connection cable (3000 mm). With euro connection plug (Typ C, EN 50075). With electronic control gear unit, dimmable (integrated). With USB connection port in the luminaire base for charging mobile communication devices (4,9 V / 1 A). The luminaire complies with fundamental requirements of applicable EU regulations and

Product features and key data

| | | | |
|---------------------------------------|---|---------------|-----------------|
| Luminaire type | Innovative desktop luminaire with direct light component for individual workstation illumination and indirect light component for general room lighting. | | |
| Mounting method | Positioning | | |
| Luminaire optic | Triple Glare Control System (TGCS®) for glare-reduced, symmetric distribution indirect component with limited beam angle. With clear, highly scratch-resistant acrylic glass cover. | | |
| LED-System | HCL channel 1 | HCL channel 2 | HCL MAX |
| Connected load | 56 W | 52 W | 54 W |
| Colour temperature | 2.700 K | 6.000 K | 2.700 - 6.000 K |
| Rated luminous flux | 5.580 lm | 5.580 lm | 5.580 lm |
| Luminous efficacy | 99,6 lm/W | | |
| CEN flux code | 59 89 98 10 100 82 96 100 90 | | |
| Service life | L80 (25 °C) = 50.000 h | | |
| Colour tolerance | 3 SDCM | | |
| Photobiological class | Group 1- no risk | | |
| Luminaire colour | RAL9005 Jet black | | |
| Luminaire body | Luminaire body of die-cast aluminium. | | |
| Electrical version | With electronic control gear unit, dimmable (integrated). | | |
| Connection method | Mains plug | | |
| Mains frequency | 50 Hz | | |
| Mains voltage | 220 - 240 V | | |
| Ingress Protection (IP) rating | IP20 | | |
| Protection class | II | | |
| Impact resistance (IK) | IK02 | | |
| Hot wire resistance | 650 °C | | |
| Ambient temperature | 25 °C | | |
| Net length | 444 mm | | |
| Net width | 240 mm | | |
| Net height | 510 mm | | |
| Weight | 4,7 kg | | |

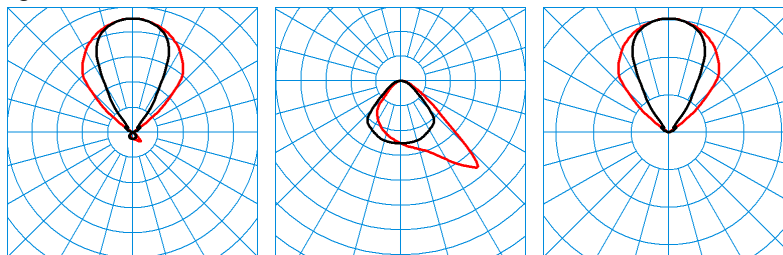
Bicult Act T SMS TGCS 5500 ETDI 05 EU



TOC: 7094159

product safety legislation and bears the CE symbol. The luminaire is also ENEC-certified by an independent testing authority. The luminaire features an integrated daylight- and HF presence sensor with motion direction detection. With integrated light management for the synchronous daytime- and seasonally dependent control of light colour (circadian control) of both light emission surfaces. Communication between the luminaire and smartphone is via Bluetooth Low Energy v 5.0. Weight 4,7 kg.

light distribution curve



TX057057
 UGR I = 12.3
 UGR q = 11.5
 DIN 5040: D54
 UTE: 0,10 D + 0,90 T

■ C0 - C180
 ■ C90 - C270

TX057060
 UGR I = NODATA
 UGR q = NODATA
 DIN 5040: A50
 UTE: 1,00 D

■ C0 - C180
 ■ C90 - C270

TX057063
 UGR I = NODATA
 UGR q = NODATA
 DIN 5040: E04
 UTE: 0,00 J + 1,00 T

■ C0 - C180
 ■ C90 - C270