

Sensor-switched LED floodlight

XLED home 2 XL S

V2 white

EAN 4007841 030070

Article number 030070



LED

30 years (Ø 4,5h / day)

3000 K

3000K warm-white



infrared sensor 180°



max. 10 m



IP44



Panel 180° hor., 180° ver.



Sensor 90° ver., 180° hor.



2 - 2000 lux



8 sec - 35 min



networkable via cable

Function description

Day-bright light in XL size. Powerful XLED home 2 XL S sensor-switched outdoor floodlight with 10 m sensor reach. Ideal for illuminating larger areas such as driveways, courtyards and gardens. Swivelling precision IR sensor covering 180°. Fully swivelling LED panel (180°, horizontally and vertically). Superior opal cover for optimum lighting. 2124 lm, 19,3 W, 180° angle of coverage, high thermal conductivity magnesium composite cooling system (HCMC).

XLED home 2 XL S

V2 white

EAN 4007841 030070

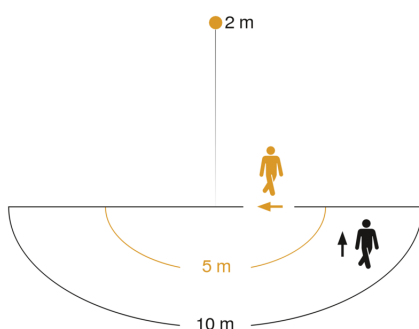
Article number 030070

Technical specifications

Dimensions (L x W x H)	161 x 180 x 240 mm
Mains power supply	220 – 240 V / 50 – 60 Hz
Sensor Technology	passive infrared
Output	19,3 W
Lichtstrom Gesamtprodukt	2124 lm
Gesamtprodukt Effizienz	110 lm/W
Colour temperature	3000 K
Colour variation LED	SDCM3
Colour Rendering Index	80-89
With lamp	Yes, STEINEL LED system
Lamp	LED cannot be replaced
LED life expectancy (max. °C)	50000 h
LED life expectancy (25 °C)	> 60000 h
Drop in luminous flux in accordance with LM80	L70B10
Base	without
LED cooling system	HCMC (High Conductive Magnesium Composite)
With motion detector	Yes
Detection angle	180 °
Capability of masking out individual segments	Yes
Electronic scalability	No

Mechanical scalability	No
Reach, radial	r = 5 m (39 m ²)
Reach, tangential	r = 10 m (157 m ²)
Photo-cell controller	Yes
Twilight setting	2 – 2000 lx
Time setting	8 s – 35 Min.
Basic light level function	No
Impact resistance	IK00
IP-rating	IP44
Protection class	II
Ambient temperature	-20 – 40 °C
Housing material	Plastic
Cover material	Plastic, opal
Manufacturer's Warranty	5 years
Einstellungen via: Connect Bluetooth Mesh	Potentiometers
Installation site	wall, corner
Cover material	sticker
Version	white
PU1, EAN	4007841030070

Detection Zone

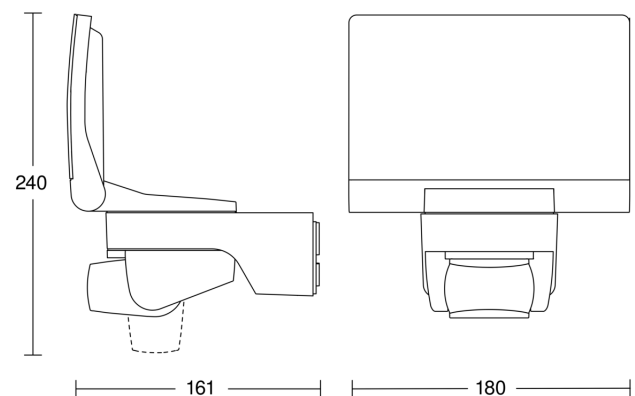


Mögliche Montagehöhe: 1,80 m – 4,00 m

Orange: radial

Schwarz: tangential

Dimension Drawing



XLED home 2 XL S

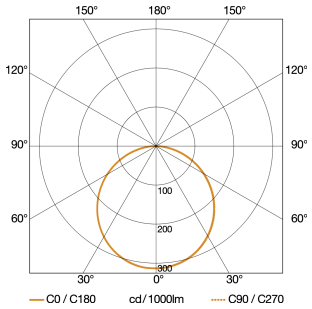
V2 white

EAN 4007841 030070

Article number 030070

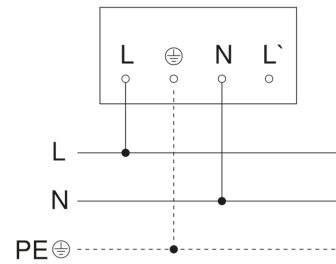


Light Distribution Curve

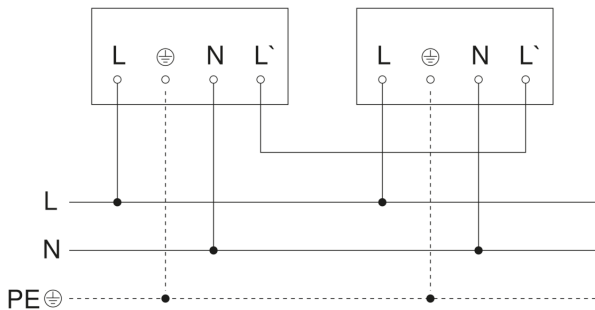


Output	19,3 W
With lamp	Yes, STEINEL LED system
Lamp	LED cannot be replaced
Luminous flux	2124 lm
Colour temperature	3000 K
Colour Rendering Index	80-89
LED life expectancy (max. °C)	50000 h
LED cooling system	HCMC (High Conductive Magnesium Composite)

Master circuit diagram



Master/master interconnection circuit diagram



Master/slave interconnection circuit diagram

