

Electronic ballasts for compact fluorescent lamps

18-40 W 220-240 V, 50-60 Hz

- Slim, only 28 mm high
- Multilamp operation
- Single and twin lamp operation
- Low power losses
- Single case size



A2 BAT

Lamp type	Wattage	No. of lamps	Ballast	EEL	Connection (p.30)	Weight (g)	Circuit power (W)	Mains current (A)	Power factor	Lamp power (W)
TC-L	18	1	EL1/2x18-42TCs	A2 BAT	11	132	17	0.08	0.94c	14.8
	18	2	EL1/2x18-42TCs	A2 BAT	12	132	32	0.14	0.97	14.8
	24	1	EL1/2x18-42TCs	A2 BAT	11	132	26	0.12	0.95	23
	24	2	EL1/2x18-42TCs	A2 BAT	12	132	48	0.21	0.98	22.3
	36	1	EL1/2x36/38TCs	A2 BAT	11	132	37	0.17	0.96	34
	36	1	EL1/2x18-42TCs ¹⁾²⁾	A2 BAT	12	132	31	0.14	0.96	28
	36	2	EL1/2x36/38TCs	A2 BAT	12	132	72	0.32	0.97	33
	40	1	EL1/2x18-42TCs ¹⁾	A2 BAT	11	132	42	0.19	0.98	39
TC-F	18	1	EL1/2x18-42TCs	A2 BAT	11	132	17	0.08	0.94c	14.8
	18	2	EL1/2x18-42TCs	A2 BAT	12	132	32	0.14	0.97	14.8
	24	1	EL1/2x18-42TCs	A2 BAT	11	132	26	0.12	0.95	23
	24	2	EL1/2x18-42TCs	A2 BAT	12	132	48	0.21	0.98	22.3
	36	1	EL1/2x36/38TCs	A2 BAT	11	132	37	0.17	0.96	34
	36	1	EL1/2x18-42TCs ¹⁾²⁾	A2 BAT	12	132	31	0.14	0.96	28
	36	2	EL1/2x36/38TCs	A2 BAT	12	132	72	0.32	0.97	33

Note: See pages 30-33 for connection diagrams and additional characteristics.

1) Tested and recommended by Helvar, not ENEC approved

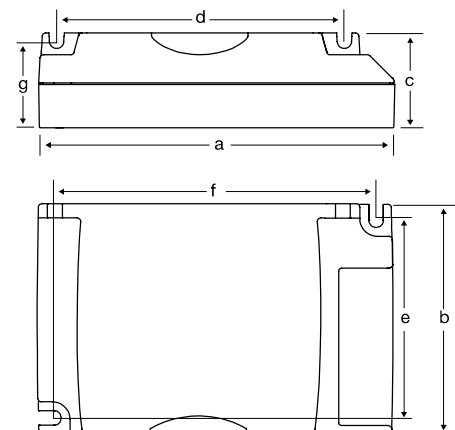
2) Light output 93 %

Dimensions

Length 'a' (mm)	103.5
Width 'b' (mm)	67
Height 'c' (mm)	28
'd' (mm)	83.5
'e' (mm)	57.5
'f' (mm)	93.5
'g' (mm)	25.5

Delivery information

Ballast	Unit package		Transportation package		
	Minimum delivery amount	Carton Box	Pallet 820x1280 (pcs.)	Pallet weight (kg)	Pallet height (cm)
EL-TCs	60	●	1800	260	105



Electronic ballasts for compact fluorescent lamps

freedom in lighting

- Slim, only 28 mm high
- Multilamp operation
- Single and twin lamp operation
- Low power losses
- Single case size

9-40 W 220-240 V, 50-60 Hz



A2 BAT

Lamp type	Wattage	No. of lamps	Ballast	EEL	Connection (p.30)	Weight (g)	Circuit power (W)	Mains current (A)	Power factor	Lamp power (W)
TC-DD	10	1	EL1/2x9-13TCs	A2 BAT	11	118	12	0.05	0.91c	10.0
	16	1	EL1/2x9-13TCs	A2 BAT	11	118	17	0.08	0.95	15
	21	1	EL1/2x18-42TCs ¹⁾	A2 BAT	11	132	25	0.11	0.97	22.3
	28	1	EL1/2x18-42TCs	A2 BAT	11	132	29	0.13	0.97	27.0
	38	1	EL1/2x36/38TCs	A2 BAT	11	132	38	0.17	0.96	34.8
	38	2	EL1/2x36/38TCs	A2 BAT	12	132	74	0.32	0.97	34
T5c	22	1	EL1/2x18-42TCs	A2 BAT	11	132	25	0.12	0.95	22.6
	40	1	EL1/2x18-42TCs	A2 BAT	11	132	41	0.19	0.98	38.6
T5	14	1	EL1/2x9-13TCs ¹⁾	A2 BAT	11	118	16	0.07	0.95	14.7
	21	1	EL1/2x9-13TCs ¹⁾	A2 BAT	11	118	22.5	0.10	0.97	21
	28	1	EL1/2x9-13TCs ¹⁾	A2 BAT	11	118	31	0.14	0.97	28.2
T8	30	2	EL2x32/42TCs ¹⁾	A2 BAT	11	132	57.5	0.25	0.97	26.6
TC-SE	9	1	EL1/2x9-13TCs	A2 BAT	11	118	10	0.05	0.9c	8.5
	9	2	EL1/2x9-13TCs	A2 BAT	12	118	18	0.08	0.96	8.5
	11	1	EL1/2x9-13TCs	A2 BAT	11	118	14	0.07	0.93c	12.8
	11	2	EL1/2x9-13TCs	A2 BAT	12	118	27	0.12	0.98	12.9
PL-R	14	1	EL1/2x14/17TCs ¹⁾	A2 BAT	11	131	18	0.08	0.92c	15.8
	14	2	EL1/2x14/17TCs ¹⁾	A2 BAT	12	131	34	0.15	0.96	15.5
	17	1	EL1/2x14/17TCs ¹⁾	A2 BAT	11	131	21.5	0.1	0.93c	19.3
	17	2	EL1/2x14/17TCs	A2 BAT	12	131	41	0.18	0.96	18.6

Note: See pages 30-33 for connection diagrams and additional characteristics.

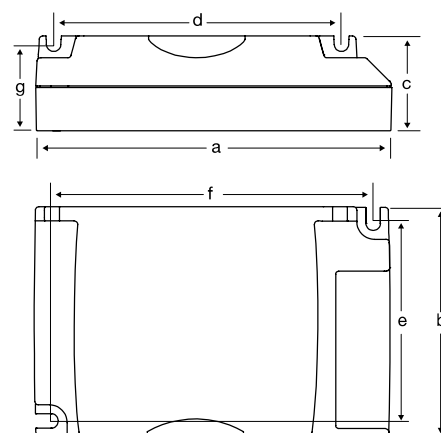
1) Tested and recommended by Helvar, not ENEC approved

Dimensions

Length 'a' (mm)	103.5
Width 'b' (mm)	67
Height 'c' (mm)	28
'd' (mm)	83.5
'e' (mm)	57.5
'f' (mm)	93.5
'g' (mm)	25.5

Delivery information

Ballast	Unit package		Transportation package		
	Minimum delivery amount	Carton Box	Pallet 820x1280 (pcs.)	Pallet weight (kg)	Pallet height (cm)
EL-TCs	60	●	1800	260	105



Electronic ballasts for compact fluorescent lamps

freedom in lighting

- Slim only 28 mm high
- Multilamp operation
- Single and twin lamp operation
- Low power losses
- Single case size

9-26 W 220-240 V, 50-60 Hz



A2 BAT

Lamp type	Wattage	No. of lamps	Ballast	EEL	Connection (p.30)	Weight (g)	Circuit power (W)	Mains current (A)	Power factor	Lamp power (W)
TC-DE	10	1	EL1/2x9-13TCs	A2 BAT	11	118	10	0.05	0.9c	8.9
	10	2	EL1/2x9-13TCs	A2 BAT	12	118	20	0.09	0.97	8.9
	13	1	EL1/2x9-13TCs	A2 BAT	11	118	15	0.07	0.94c	13.8
	13	2	EL1/2x9-13TCs	A2 BAT	12	118	28	0.13	0.98	13.5
	18	1	EL1/2x18TCs	A2 BAT	11	120	19	0.09	0.96	16.9
	18	2	EL1/2x18TCs	A2 BAT	12	120	36	0.16	0.98	16.9
	26	1	EL1/2x18-42TCs	A2 BAT	11	132	27	0.13	0.96	24.7
	26	2	EL1/2x18-42TCs	A2 BAT	12	132	51	0.23	0.98	23.8
TC-TE	26	2	EL2x32/42TCs	A2 BAT	12	132	53	0.24	0.97	24
	13	1	EL1/2x9-13TCs	A2 BAT	11	118	15	0.07	0.94c	13.8
	13	2	EL1/2x9-13TCs	A2 BAT	12	118	28	0.13	0.98	13.5
	18	1	EL1/2x18TCs	A2 BAT	11	120	19	0.09	0.96	16.9
	18	2	EL1/2x18TCs	A2 BAT	12	120	36	0.16	0.98	16.9
	26	1	EL1/2x18-42TCs	A2 BAT	11	132	27	0.13	0.96	24.7
	26	2	EL1/2x18-42TCs	A2 BAT	12	132	51	0.23	0.98	23.8
	26	2	EL2x32/42TCs	A2 BAT	12	132	53	0.24	0.97	24
	32	1	EL1/2x18-42TCs	A2 BAT	11	132	32	0.15	0.97	29.4
	32	2	EL2x32/42TCs	A2 BAT	12	132	64	0.29	0.98	28.5
	42	1	EL1/2x18-42TCs	A2 BAT	11	132	44	0.2	0.98	42.2
42	2	EL2x32/42TCs	A2 BAT	12	132	85	0.38	0.98	40.5	
57	1	EL1/2x18-42TCs	A2 BAT	11	132	58.5	0.26	0.99	54	

1) Ballast Lumen Factor for 1x14 W, 2x14 W, 1x17 W: 107 %

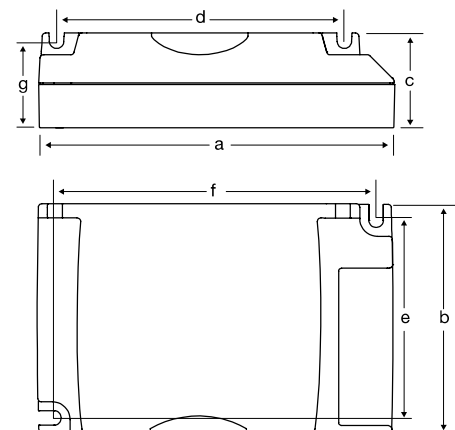
Note: See pages 30-33 for connection diagrams and additional characteristics.

Dimensions

Length 'a' (mm)	103.5
Width 'b' (mm)	67
Height 'c' (mm)	28
'd' (mm)	83.5
'e' (mm)	57.5
'f' (mm)	93.5
'g' (mm)	25.5

Delivery information

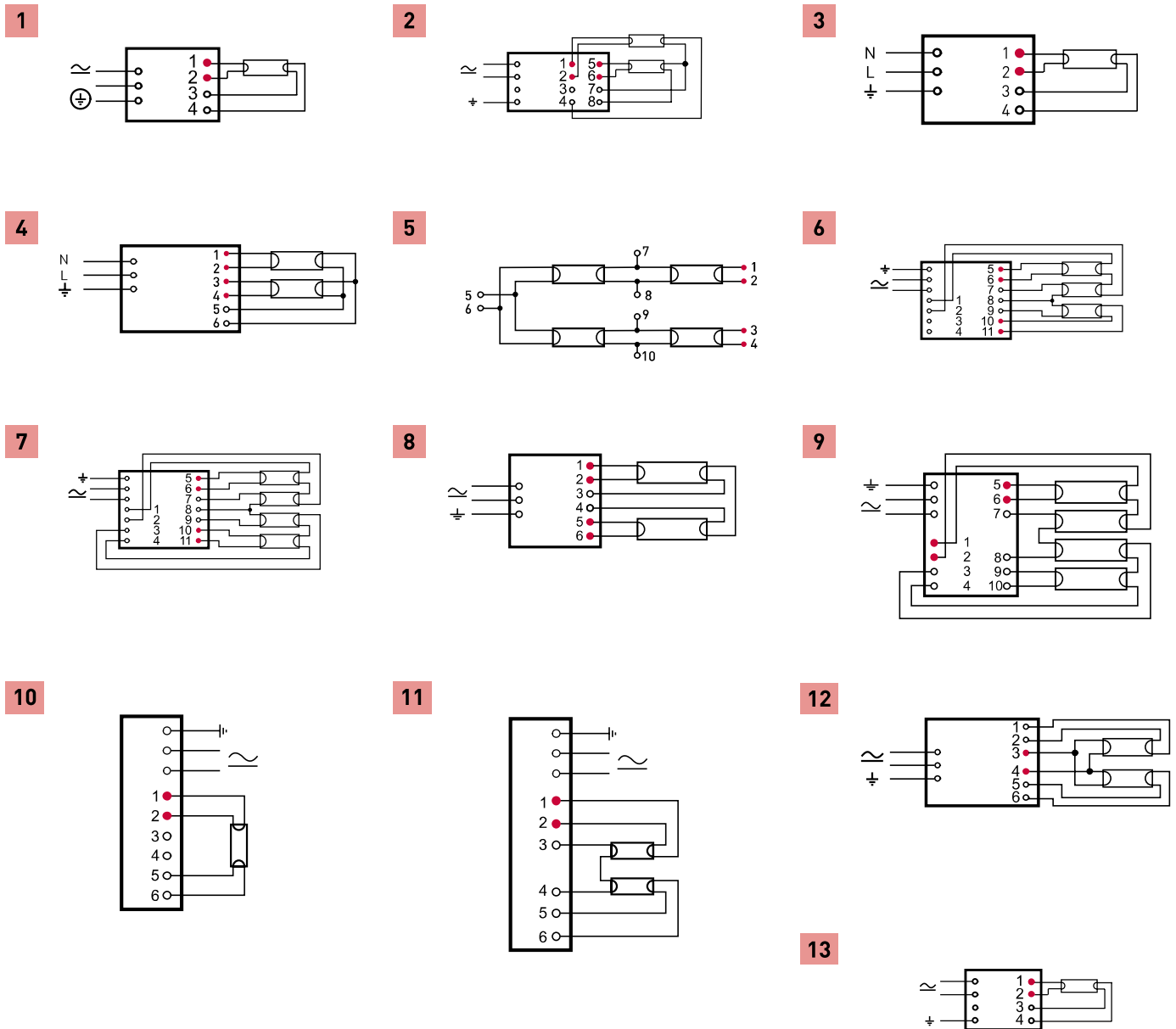
Ballast	Unit package		Transportation package		
	Minimum delivery amount	Carton Box	Pallet 820x1280 (pcs.)	Pallet weight (kg)	Pallet height (cm)
EL-TCs	60	●	1800	260	105



Connection diagrams

EL-ngn5, EL-s, EL-ngn, EL-es, EL-ef, EL-TCs

NOTE: All wiring to the connectors marked with a red dot (hot wires) should be as short as possible.



1	EL1x...ngn, EL1x...ngn5
2	EL2x58s, EL2x70s
3	EL1x18ef, EL1x36ef, EL1x58ef
4	EL2x18ef, EL2x36ef
5	EL4x18ef
6	EL3/4x18ngn (three lamp connection), EL3/4x14ngn5, EL3/4x24ngn5
7	EL3/4x18ngn (four lamp connection), EL3/4x14ngn5, EL3/4x24ngn5, EL4x14ngn5
8	EL2x18ngn, EL2x36ngn, EL2x58ngn, EL2x24ngn5, EL2x39/36ngn5, EL2x54ngn5, EL2x54ngn5-XL, EL2x55ngn5, EL2x36es, EL2x58es
9	EL4x18ngn, EL4x18es
10	EL1/2x14/17TCs, EL1/2x18-42TCs, EL1/2x18TCs, EL1/2x9-13TCs, EL1/2x36/38TCs
11	EL1/2x14/17TCs, EL1/2x18-42TCs, EL1/2x18TCs, EL1/2x9-13TCs, EL2x32/42TCs, EL1/2x36/38TCs
12	EL2x14-35ngn5, EL2x49ngn5, EL2x49ngn5-XL, EL2x80ngn5
13	EL1x ...s