

PRODUCT DATASHEET

HB DALI 90 W 4000 K 115 DEG IP65 BK

HIGH BAY DALI | LED high-bay luminaires with DALI interface



AREAS OF APPLICATION

- Replacement for high bay luminaires with mercury vapor or metal halide lamps
- Warehouses
- Logistics halls
- Industry
- High ceiling (e.g. in shopping malls, airports, commercial buildings, lobbies)

PRODUCT BENEFITS

- High compatibility thanks to DALI-2 certification
- DALI 2.0 interface for dimming and sensor operations
- Low flicker light thanks to special electronic control gear
- High luminous efficacy
- Easy electrical connection due to push button connector
- Energy savings of up to 90 % compared to conventional high bay luminaires
- 5 years guarantee

PRODUCT FEATURES

- Pre-configured DALI driver included
- Luminous efficacy: up to 140 lm/W
- Type of protection: IP65



TECHNICAL DATA

Electrical data

Nominal wattage	90.00 W
Operating mode	Integrated LED driver
Nominal voltage	220...240 V
Power factor λ	≥ 0.90
Mains frequency	0/50/60 Hz
Max. no. of lum. on circuit break. B16 A	8
Max. no. of lum. on circuit break. C10 A	10
Max. no. of lum. on circuit break. C16 A	16
Inrush current	56.0 A
Total harmonic distortion	< 10 %

Luminaire control gear data

ECG - Life time	100000 h
Low flicker	Yes
Output current	1000 mA
ECG - Output ripple current	<10 %

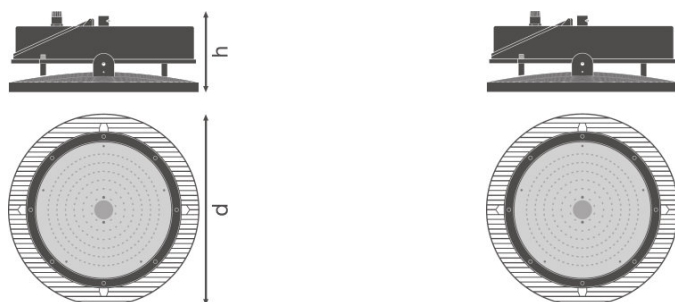
Photometrical data

Color temperature	4000 K
Luminous efficacy	140 lm/W
Luminous flux	13000 lm
Standard deviation of color matching	<4 sdc _m
Light color (designation)	Cool White
Color rendering index Ra	>80

Light technical data

Beam angle	115 °
------------	-------

Dimensions & weight



Diameter	330.0 mm
Height	130.0 mm
Product weight	3170.00 g

Colors & materials

Body material	Aluminum
Product color	Black
Housing color	Black
Cover material	Polycarbonate (PC)

Temperatures & operating conditions

Ambient temperature range	-30...+50 °C
----------------------------------	--------------

Lifespan

Number of switching cycles	50000
Lifespan L70/B50 at 25 °C	80000 h
Lifespan L80/B10 at 25 °C	50000 h
Lifespan L90/B10 at 25 °C	25000 h

Additional product data

Mounting type	Suspended/Surface
Mounting location	Ceiling / Wall
Low flicker	Yes

Capabilities

Adjustable	Yes
Dimmable	Yes
Type of connection	Screwless terminal, 5-Pole
Ball shot safe	No

LED module replaceable	Not replaceable
-------------------------------	-----------------

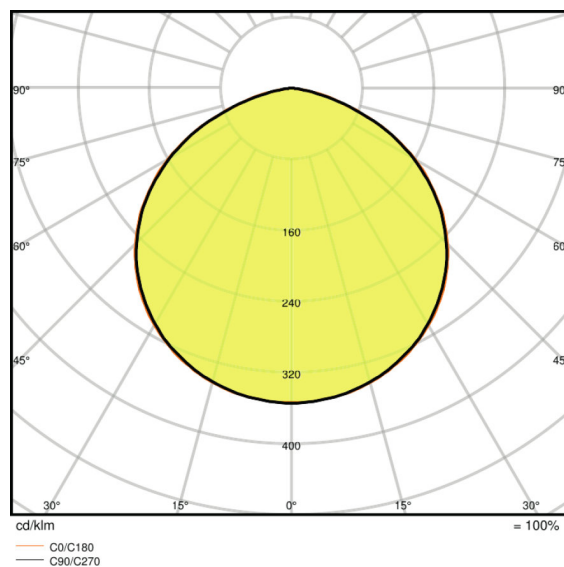
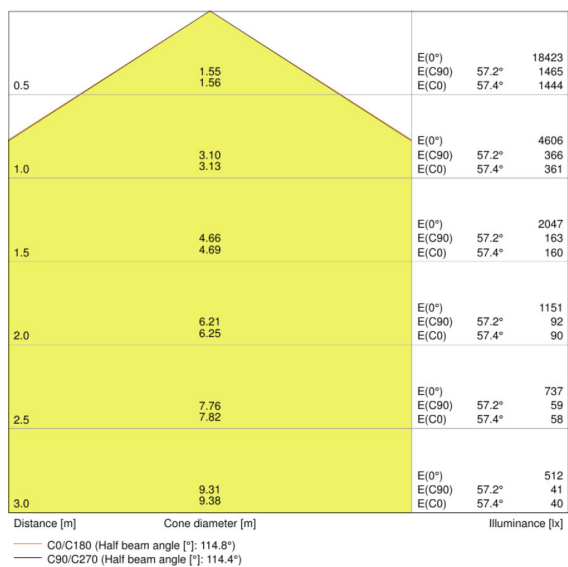
Certificates & standards

Protection class IK (shock resistance)	IK08
Glow Wire Test according to IEC 60695-2-12	850 °C
Photobiological safety group EN62778	RG0
Photobio. safety group acc. to EN62471	RG0
Protection class	I
Type of protection	IP65
Luminaire with limited surface temperature, class "D"	Yes
Standards	CE/CB/ENEC/TÜV SÜD/RoHS/EAC

Logistical data

Temperature range at storage	-40...+70 °C
-------------------------------------	--------------

Light Distribution



LDC typ cone

LDC typ polar

EQUIPMENT / ACCESSORIES

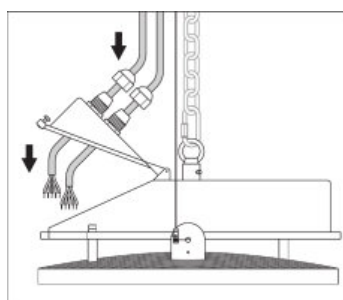
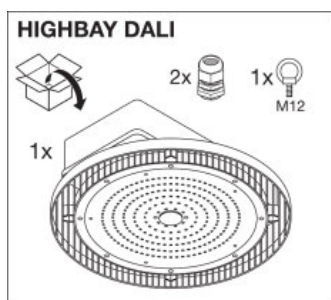
- Mounting hook included
- Mounting brackets and reflectors as separate accessory available

LOGISTICAL DATA

Product code	Packaging unit (Pieces/Unit)	Dimensions (length x width x height)	Gross weight	Volume
4058075130685	Shipping carton box 1	370 mm x 370 mm x 200 mm	5273.00 g	27.38 dm ³

The mentioned product code describes the smallest quantity unit which can be ordered. One shipping unit can contain one or more single products. When placing an order, for the quantity please enter single or multiples of a shipping unit.

ADDITIONAL CATALOG INFORMATION



REFERENCES / LINKS

For Guarantee see

▶ www.ledvance.com/guarantee

DISCLAIMER

Subject to change without notice. Errors and omission excepted. Always make sure to use the most recent release.