

Presence detector - Professional Line

# HF 360

COM1 - Surface wiring

EAN 4007841 751302

Article number 751302



high frequency  
sensor 360°



max. Ø 12 m

2000 W

2000 W max.  
(LED-ready)



IP20



ideal 2,5 - 3,5 m



indoor sensor

iQ

iQ-mode

Teach

Teach mode



energy saving

5 years

manufacturer's  
warranty  
[steinell-professional.de/garantie](https://www.steinell.de/garantie)

## Function description

Doesn't miss a thing. HF-presence detector Presence Control PRO HF 360 COM1 AP for indoors, ideal for WCs with toilet cubicles, changing rooms, stairwells, multi-storey car parks, kitchens, installation height up to 3.5 m, surface-mounting version for switching light 'ON' and 'OFF', 1 – 12 m reach, reach is electronically adjustable and can be limited in two directions, detection regardless of temperature, HF-sensor technology also detects movement through glass, wood and stud walls.

# HF 360

COM1 - Surface wiring

EAN 4007841 751302

Article number 751302



## Technical specifications

Type	Presence detector	Fluorescent lamps, uncorrected	1000 VA
Dimensions (L x W x H)	51 x 120 x 120 mm	Fluorescent lamps, series-corrected	1000 VA
Mains power supply	230 V / 50 – 60 Hz	Fluorescent lamps, parallel-corrected	1000 VA
Sensor Technology	High frequency	Switching output 1, low-voltage halogen lamps	2000 VA
Application, place	Indoors	LED lamps	100 W
Installation site	ceiling	LED lamps > 2 W	300 W
Installation	Surface wiring	LED lamps > 8 W	600 W
Mounting height	2,50 – 3,50 m	Capacitive load in µF	176 µF
Reach, radial	Ø 12 m (113 m <sup>2</sup> )	Constant-lighting control	No
Reach, tangential	Ø 12 m (113 m <sup>2</sup> )	Basic light level function	No
Reach, detail	1 or 2 detection directions can be masked out by stickers for adjustment to the room situation.	Functions	Normal / test mode, Semi-/fully automatic, Pushbutton / switch mode, Manual ON / ON-OFF
HF-system	5,8 GHz	Settings via	Remote control, DIP switches, Potentiometers, Smart Remote
Detection angle	360 °	With remote control	No
Angle of aperture	140 °	Interconnection	Yes
Optimum mounting height	2,8 m	Type of interconnection	Master/master, Master/slave
Mechanical scalability	No	IP-rating	IP20
Sneak-by guard	Yes	Material	Plastic
Capability of masking out individual segments	Yes	Ambient temperature	-25 – 55 °C
Electronic scalability	Yes	Application, room	function room / ancillary room, kitchenette, stairwell, WC / washroom, Indoors
Detection	also through glass, wood and stud walls	Colour	white
Twilight setting TEACH	Yes	Colour, RAL	9010
Twilight setting	10 – 1000 lx	Manufacturer's Warranty	5 years
Time setting	30 s – 30 Min.	Version	COM1 - Surface wiring
Output	2000 W	PU1, EAN	4007841751302
Fluorescent lamps, electronic ballast	1500 W		

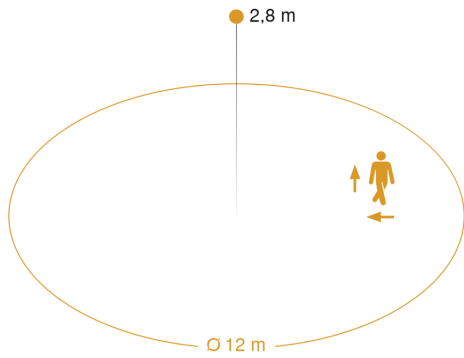
## Accessories

EAN 4007841 003036	Control PRO guard cage
EAN 4007841 000363	Surface installation adapter Control PRO AP Box (IP54)
EAN 4007841 009151	Remote control Smart Remote
EAN 4007841 559410	Service remote control RC8

# HF 360

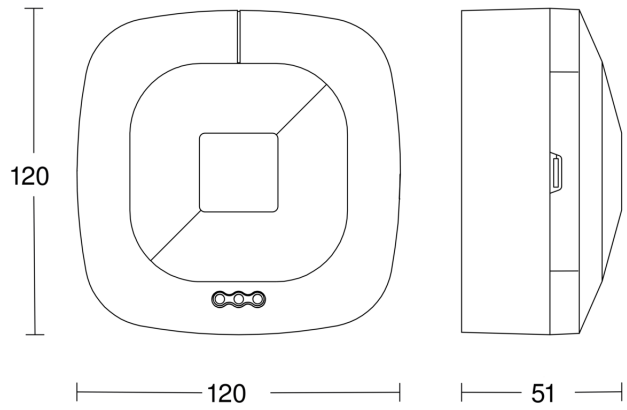
COM1 - Surface wiring  
EAN 4007841 751302  
Article number 751302

## Detection Zone

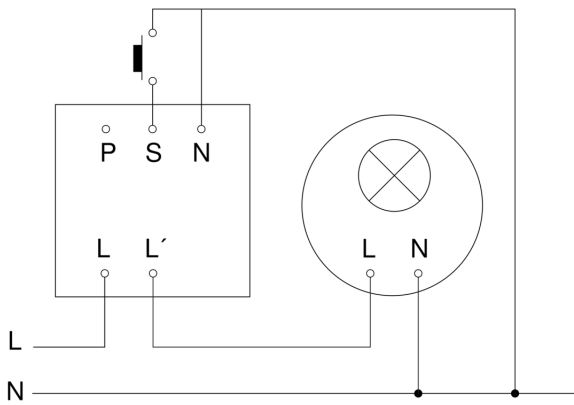


Mögliche Montagehöhe: 2,50 m – 3,50 m  
Orange: radial und tangential

## Dimension Drawing



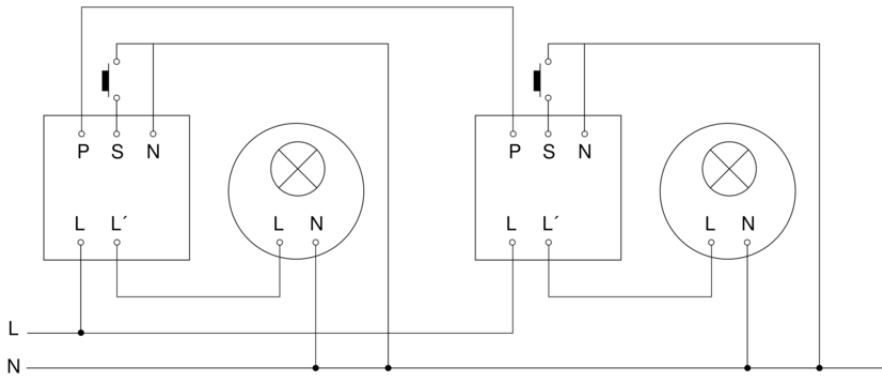
## Master circuit diagram



# HF 360

COM1 - Surface wiring  
EAN 4007841 751302  
Article number 751302

## Master/master interconnection circuit diagram



## Master/slave interconnection circuit diagram

