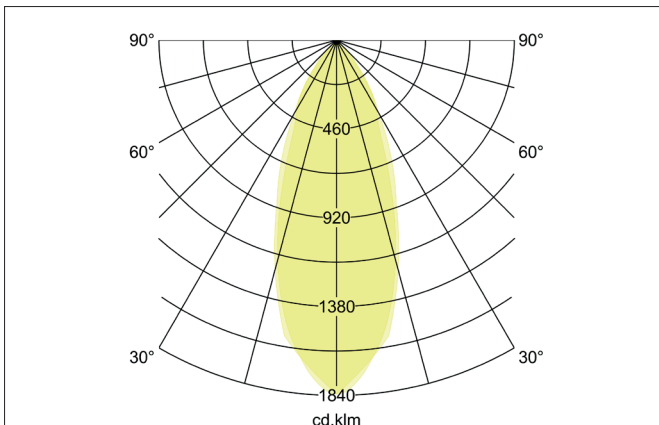
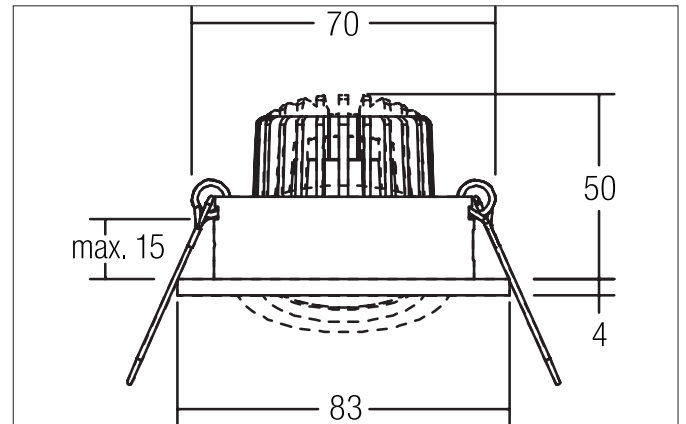


LED recessed spot set, on/off

Artikel-Nr. 38326153

Licht.
Für Generationen.



Tender

LED recessed spot set, on/off, nickel, round. In a compact design, for installation in tool-less rapid assembly systems. Set including a converter for 230-V mains voltage, on/off switchable, dimensions of converter: L 68 x W 35 x H 21 mm . Mounting method: Recessed mounting, Place of installation: Ceiling-mounted, Material:, Degree of protection: according to DIN EN 60529 IP20, Protection class: (EN 61140) II, Voltage: 230V AC 50Hz, Power: 6W, Amount of light sources / fittings: 1.0 Qty, Luminous flux: 680lm, Colour temperature: 3.000 K, Light colour : White, Beam angle: 38°, Adjustability: Pivoted, With control gear: Yes, Control: on/off.

Article data	
Artikel-Nr.	38326153
GTIN	4251433910077
Kurzbeschreibung	LED recessed spot set, on/off
Material	Cast aluminium / Aluminium / Glass
Colour	Nickel
Type of surface	Matt
Shape	round
Outer diameter	83 mm
Built-in diameter	70 mm
Installation depth	50 mm
weight	0.155 kg

LED recessed spot set, on/off

Artikel-Nr. 38326153

Licht.
Für Generationen.

Lighting technology	
Colour temperature	3000 K
Light colour	White
Light output	Direct
Luminous flux	680 lm
System efficiency	113 lm/W
Colour rendering	CRI > 80
Reflector	High-gloss
Beam angle	38 °
Light sharing	Symmetric

Operating technology of the luminaires	
System output	6 W
Voltage type	AC
AC nominal voltage max	230 V
Frequenz max.	50 Hz
Lamp	LED
Protection class	II
Degree of protection	IP20
Control	on/off
Leuchtmittelwechsel möglich	ja

Operating technology of driver	
AC nominal voltage max	230 V
Frequenz max.	50 Hz
Protection class	II
Degree of protection	IP20
Control	on/off

Mounting technology	
Mounting method	Recessed mounting
Place of installation	Ceiling-mounted
Adjustability	Pivoted
Swivel angle	20°
Further references	No cover with thermal insulation material
Material cover	Glass transparent
Circlip	Without circlip

Packing data	
Gross weight	0.183 kg
Length of packaging	140 mm
Packaging width	110 mm
Packaging height	120 mm