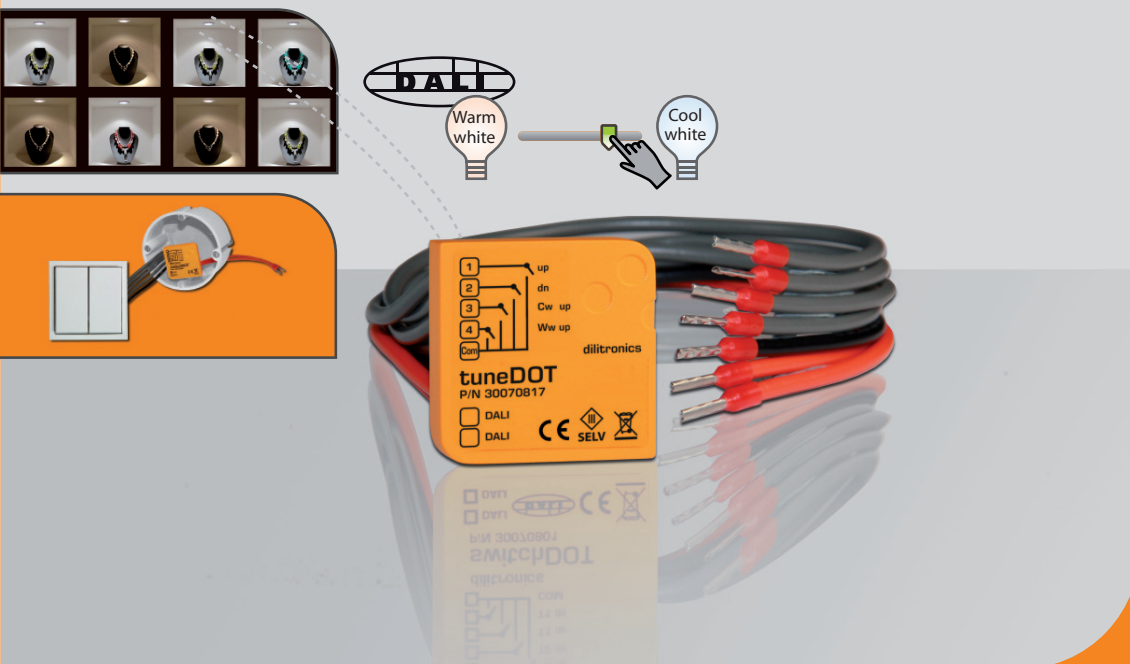


# tuneDOT

## DALI Colour Tune Interface

For mixing cool white and warm white light via conventional push buttons in the DALI bus



### Representative lighting control:

tuneDOT is a module for the easy tuning of warm white and cool white DALI-compatible light sources. The adjustment of the luminous colour as well as the dimming level is set by means of conventional light push buttons. The adjusted luminous colour stays nearly constant during dimming and switching.

Thanks to this component lighting control in shops or hospitals according to customers needs can be implemented cost efficiently.

### Functional solution:

The small and compact design allows a trouble-free installation in flush- and surface-mounted boxes.

tuneDOT allow to send dimming commands to two DALI groups (warm white and cool white luminaires).

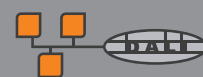
### Easy application:

The tuneDOT is designed for ease of use.

Due to the multi-controller capability, many tuneDOT modules can be used in one DALI bus.

The tuneDOT is powered directly via the DALI line.

#### Multi-controller-capability



#### User-friendly



#### Indoor & outdoor use



#### Mixing luminous colour



## Why tuneDOT

Tuning of luminous color (warm white & cool white) in the DALI bus  
 Four push button inputs for the connection of conventional push buttons  
 Commands to two DALI groups  
 Multi-controller capability  
 Installation in flush- and surface-mounted boxes  
 For indoor and outdoor use

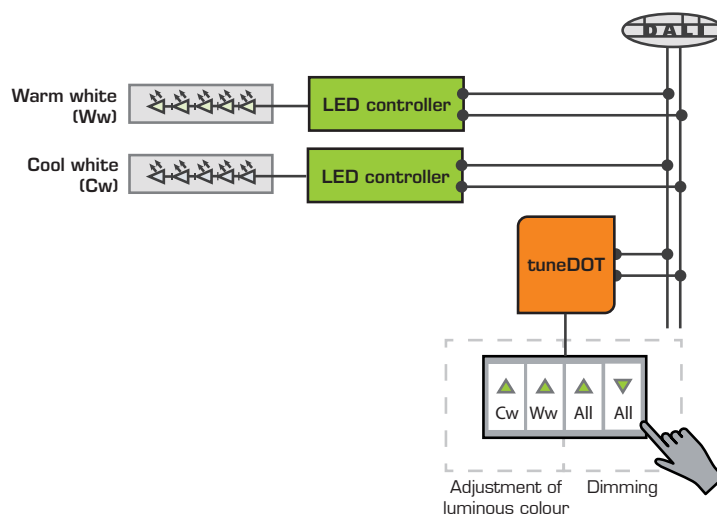
## Specification

Specification	
Power supply	via DALI line
Current	< 6 mA
Input	4 push button inputs (e.g. for 2 rocker push buttons)
Output	DALI
Address selection	Commands to 2 DALI groups, selection via rotary switch
Multi-controller capability	Yes
Operating temperature	-20...+60° C
IP rating	IP65
Length of connecting cable	200 mm each
Diameter of connecting cable	0.5 mm
Dimension	31 mm x 31 mm x 10 mm
Weight	25 g

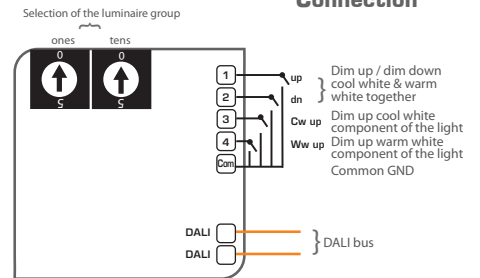
## Order information

Product	Order code
tuneDOT	30070817
Online order	shop.dilitronics.com

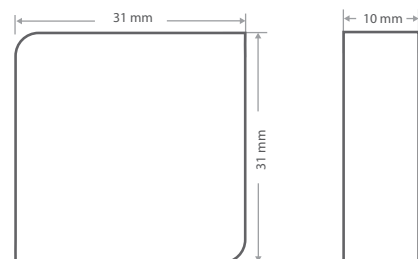
## Application



## Connection



## Dimension



### dilitronics GmbH

Felsbachstr. 5  
 07745 Jena, Germany  
 Phone +49 3641 875757-0  
 Fax +49 3641 875757-9  
 www.dilitronics.com  
 contact@dilitronics.com