

Description



- Passive infrared presence detector for ceiling mounting
- Square detection area for corridors and storage areas
- Detection area with 2 individually connectable and disconnectable detection zones, each 15 x 5 m (total 30 x 5 m)
- Up to 2 light channels DALI addressable or 1 light channel DALI in Broadcast mode
- Flexible assignment of up to 2 light groups towards one DALI line
- Easy, intuitive configuration of the DALI groups
- Up to 2 push-button inputs
- Using of conventional push-buttons for maximum design freedom
- Switch or constant light control mode with stand-by function
- Dimmable lighting in switch mode with stand-by function
- Choice of fully or semi-automatic operation
- Easy integration of an external DALI relay by an additional group e.g. for HVAC applications possible
- Adjustable brightness switching value
- Teach-in function via remote control or push-button
- Setting of room correction factor (Automatic adjustment of brightness measurement)
- Light time delay can be set
- Calibrated 2 channels light measurement
- Brief-presence
- Self-learning time delay
- Extremely easy setting of energy saving characteristics with the new „eco plus“ function
- Selectable control speed
- Manual override via remote control or pushbutton
- Behavior after push button operation selectable (school / office)
- Test mode light
- Test-Mode presence
- Remote-controllable
- Scenes
- Sensitivity adjustable
- Detection area can be limited using cover clip
- Extension of detection area via Master/Slave or Master/Master switching
- Optimized handling by installer during assembly, wiring, commissioning

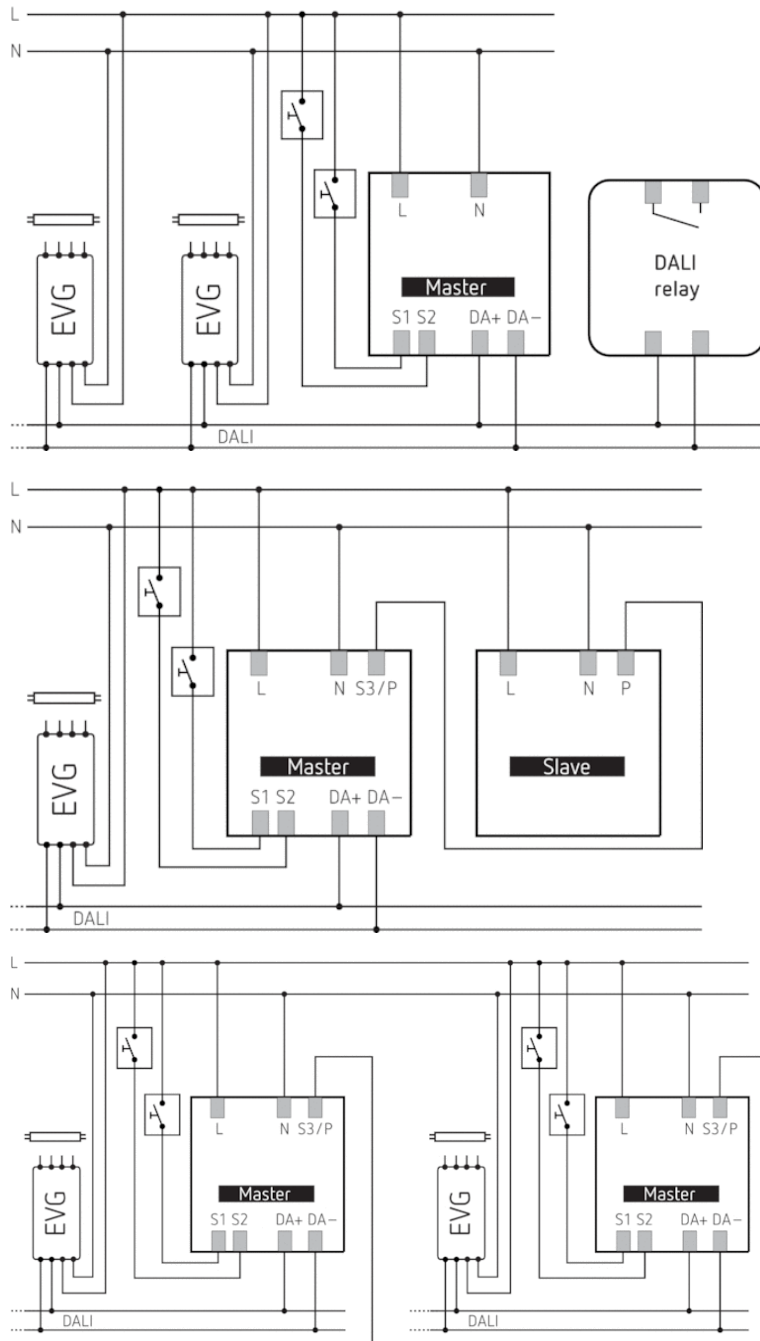
Technical data

Operating voltage	110 – 230 V AC
Frequency	50 – 60 Hz
Installation height	2 – 6 m
Minimum height	> 1,7 m
Installation type	Ceiling installation
Colour	White
Switching output	DALI
Power consumption	≤0,4 W
Light measurement	Mixed light measurement
Setting range brightness	10 – 3000 lx
Stand-by time light	0 s – 60 min / on
Stand-by brightness	1 – 25 %
Lamps	Incandescent/halogen lamps, fluorescent lamps, Energy saving lamps, LEDs
Control output	100 mA
Output light	DALI-interface according to IEC SN EN 62 386 for max. 50 DALI devices

Article number: 2010340

Type of connection	Screw terminals
Max. cable cross section	max. 2 x 2,5 mm ²
Size of concealed housing	Ø 55 mm (NIS, PMI)
Detection range	150 m ² (30,0 x 5 m)
Ambient temperature	-15 °C ... +50 °C
Type of protection	IP 54 (when fitted)

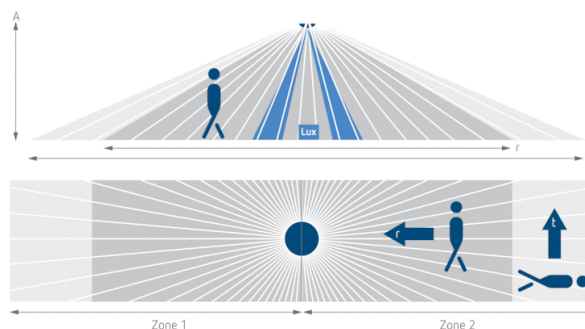
Connection example



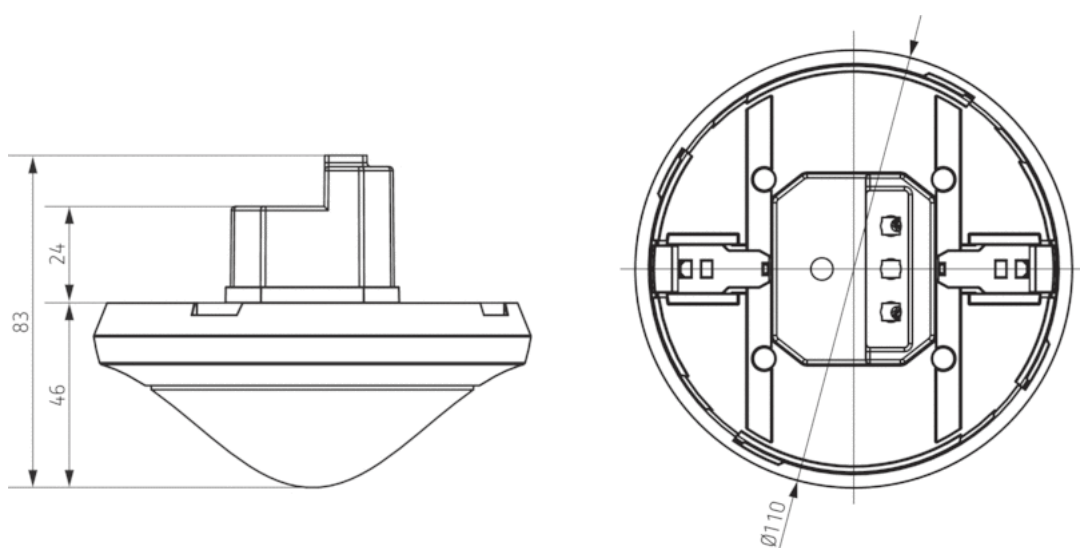
Article number: 2010340

Detection range

Mounting height (A)	Head on to (r)	Diagonally (t)
2 m	56 m ² 16 m x 3,5 m	56 m ² 16 m x 3,5 m
2,5 m	72 m ² 18 m x 4 m	88 m ² 22 m x 4 m
3 m	90 m ² 20 m x 4,5 m	135 m ² 30 m x 4,5 m
3,5 m	100 m ² 20 m x 5 m	150 m ² 30 m x 5 m
4 m	100 m ² 20 m x 5 m	150 m ² 30 m x 5 m
4,5 m	100 m ² 20 m x 5 m	150 m ² 30 m x 5 m
5 m	100 m ² 20 m x 5 m	150 m ² 30 m x 5 m
5,5 m	100 m ² 20 m x 5 m	150 m ² 30 m x 5 m
6 m	100 m ² 20 m x 5 m </td <td>150 m² 30 m x 5 m</td>	150 m ² 30 m x 5 m



Scale drawings



Accessories

Surface frame 110A WH

- Article number: 9070912
Details ▶ www.theben.de



SendoPro 868-A

- Article number: 9070675
Details ▶ www.theben.de



theSenda P

- Article number: 9070910
Details ▶ www.theben.de



theSenda B

- Article number: 9070985
Details ▶ www.theben.de



theSenda S

- Article number: 9070911
Details ▶ www.theben.de



Ceiling installation box 73A

- Article number: 9070917
Details ▶ www.theben.de



Article number: 2010340

Masking clip

- Article number: 9070921
Details ▶ www.theben.de



QuickSafe

- Article number: 9070531
Details ▶ www.theben.de



Product selection

Installation type	Channel	Operating voltage	Colour	Type	Article number
Ceiling installation	DALI	110 – 230 V AC	White	thePassa P360-221 DALI UP WH	2010340
Ceiling installation	DALI	110 – 230 V AC	Grey	thePassa P360-221 DALI UP GR	2010341