

## 0-10V to DALI Converter 10mA



**Datasheet**  
**Interface**

Interface for converting 0-10V  
control signals to DALI dim levels

Art. Nr. 86468352-xxx

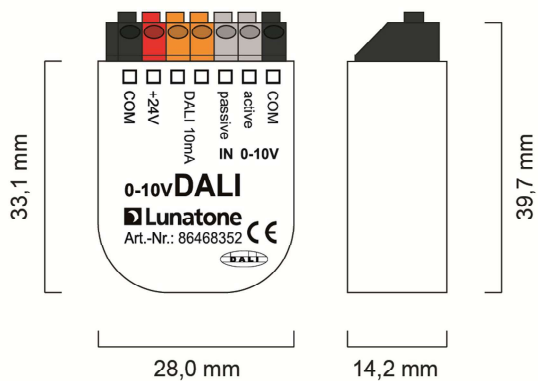
# 0-10V to DALI Converter Interface

## Overview

- Compact interface module for the conversion of 0-10V control signals to DALI dim levels
- The interface module provides a DALI power supply for a small DALI-subnet of up to 4 standard DALI ballasts (10mA), up to 64 DALI ballasts controllable with the help of a DALI-Expander.
- Passive and active 0-10V input
- The converted value is sent broadcast on the DALI subnet
- A change in the 0-10V input voltage signal (>1%) is used as trigger event.
- The interface module is supplied by a 12-24V power supply
- Various conversion-characteristics available (dimcharacteristic, OFF-function)
- **A galvanic isolation between the ballasts connected to the DALI-output (10mA) and the 0-10V signal input (and 24V supply input) can be realised with the help of a DALI-Expander**

## Specification, Characteristics

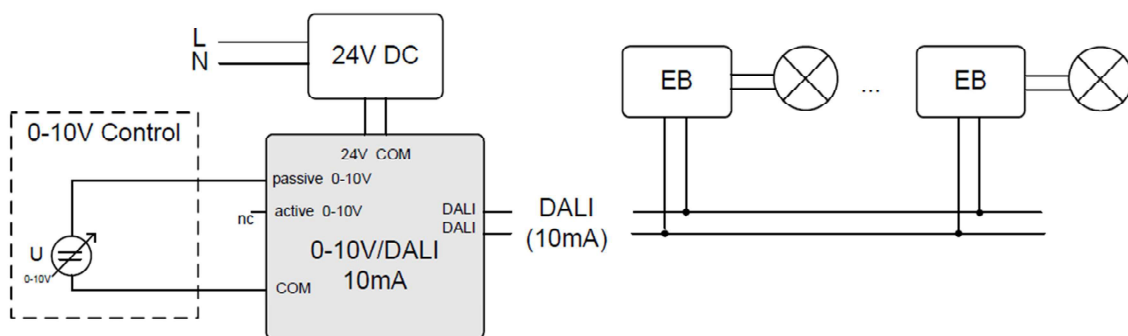
Type	0-10V / DALI Converter
article number	86468352-xxx
<b>electrical data:</b>	
supply voltage	12V-24V DC
typ. current consumption	4mA + current for DALI-subnet
input	0-10V, passive or active
output	DALI I <sub>max</sub> =10mA
function	signal converter, conversion characteristic can be selected by article number
<b>technical data:</b>	
ambient temperature	0°C to 50°C
protection class	IP20
connecting wire cross section	0.5-1.5 mm <sup>2</sup>
mounting/housing	back box
recommended cable length to 0-10V control device	50cm
dimensions	40 / 28 / 15 mm



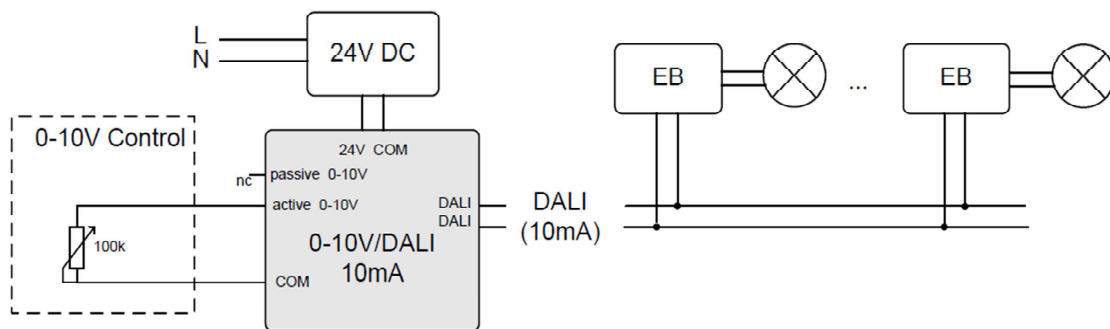
dimensions



connection plan

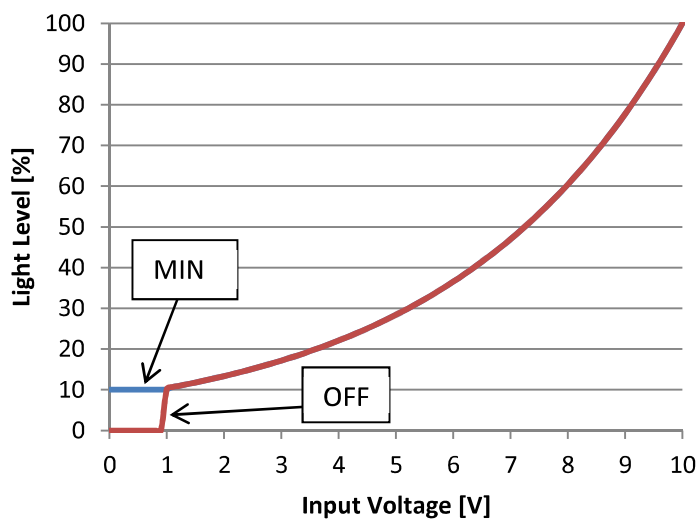


typical application with passive 0-10V input (0-10V control = voltage source)



typical application with 100k potentiometer on active 0-10V input (potentiometer = load)

### 0-10V to DALI conversion



The light level is the output power of a standard DALI-ballast (IEC62386-102) which is connected to the converter.

#### Conversion Curve:

The input voltage range of 1V-10V is converted to the light level range of the connected DALI ballast.

The input voltage is converted to either 1%-100% or 10% -100% light level (depending on the type)

For a better visualisation the characteristics of the 10% types are shown.

#### MIN/OFF:

Depending on the type the converter behaviour below 1V is different. It is either switched OFF (red characteristic) or the minimum level is recalled (blue characteristic).

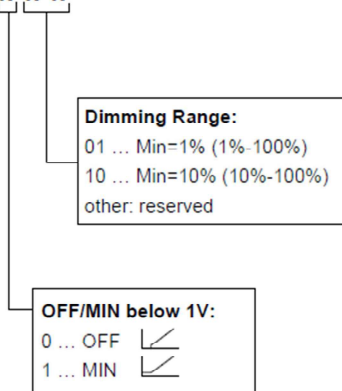
### Purchase Information

Art.Nr. 86468352-xxx:

0-10V to DALI converter for the control of a small DALI subnet (broadcast);

Various types differ in dimming range and OFF-function.

Art.Nr.: 86468352 - x x x



In case of orders without detailed specification the delivered parts correspond to the following item number:

**Art.Nr. 86468352-001 (OFF, 1%-100%)**

## Additional Information and Equipment

DALI-Cockpit – free configuration tool from Lunatone for DALI systems

<http://lunatone.at/en/downloads/Lunatone-DALI-Cockpit.zip>

Lunatone DALI products

<http://www.lunatone.at/en/>

Lunatone datasheets and manuals

<http://lunatone.at/en/downloads/>

## Contact

Technical Support: [support@lunatone.com](mailto:support@lunatone.com)

Requests: [sales@lunatone.com](mailto:sales@lunatone.com)

[www.lunatone.com](http://www.lunatone.com)

## Disclaimer

Subject to change. Information provided without guarantee.  
The datasheet refers to the current delivery.

The compatibility with other devices must be tested in advance to the installation.