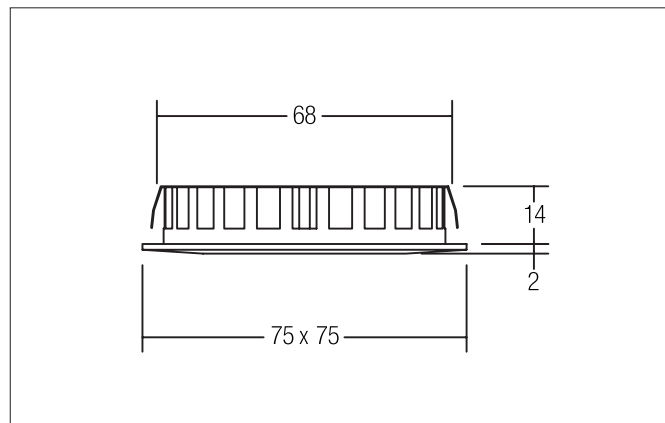


LED recessed downlight, IP44

Artikel-Nr. 12128153

Licht.
Für Generationen.**Tender**

LED recessed downlight, IP44, nickel, square. In a compact design, for installation in tool-less rapid assembly systems. Lamp optimized for installation in furniture and wood-based materials. Mounting method: Recessed mounting, Place of installation: Ceiling-mounted, Material: Die-cast aluminium / Plastic, Degree of protection: according to DIN EN 60529 IP44*, Protection class: (EN 61140) III, Voltage: 12V, Power: 5W, Amount of light sources / fittings: 1.0 Qty, Luminous flux: 400lm, Colour temperature: 2.900 K, Light colour : White, Beam angle: 60°, Adjustability: Not adjustable, With control gear: No, Control: Dimming depending on driver.

Article data	
Artikel-Nr.	12128153
GTIN	4250047702450
Kurzbeschreibung	LED recessed downlight, IP44
Material	Die-cast aluminium / Plastic
Colour	Nickel
Type of surface	Matt
Shape	square
Built-in diameter	68 mm
Installation depth	14 mm
Length	75 mm
Width	75 mm
Aufbauhöhe	3 mm
scope of delivery	Including 2,000 mm connecting cable
weight	0.108 kg

LED recessed downlight, IP44

Artikel-Nr. 12128153



Licht.
Für Generationen.

Lighting technology	
Colour temperature	2900 K
Light colour	White
Light output	Direct
Luminous flux	400 lm
System efficiency	80 lm/W
Colour rendering	CRI 85
Reflector	Without
Beam angle	60 °
Light sharing	Symmetric

Operating technology of the luminaires	
System output	5 W
Voltage type	DC
DC nominal voltage max	12 V
Lamp	LED
Protection class	III
Degree of protection	IP44
Schutzart deckenseitig	IP20
Converter - possible luminaire 1 pc.	17106 17110
Control	Dimming depending on driver
Leuchtmittelwechsel möglich	ja

Mounting technology	
Mounting method	Recessed mounting
Place of installation	Ceiling-mounted
Adjustability	Not adjustable
stamp	MM
Further references	No cover with thermal insulation material
Material cover	Plastic, opal

Packing data	
Gross weight	0.123 kg
Length of packaging	85 mm
Packaging width	43 mm
Packaging height	84 mm

Accessories	
	<p>Artikel-Nr.: 17106000 Kurzbeschreibung: LED power supply 12 V DC, on/off Leistung: 1 - 15 W Abmessung: 105 mm x 49 mm x 18 mm</p>
	<p>Artikel-Nr.: 17110000 Kurzbeschreibung: LED power supply 12 V DC, on/off Leistung: 1 - 30 W Abmessung: 185 mm x 48 mm x 20 mm</p>