

Presence detector - Professional Line

Dual US

V3 KNX - in-ceiling installation

EAN 4007841 079604

Article number 079604



ultrasonic sensor
360°



3 x 20 m



KNX 4 channel



IP20



ideal 2,5 - 3,5 m



indoor sensor



iQ-mode

Teach

Teach mode



energy saving

5 years

manufacturer's
warranty
[steinel-professional.de/garantie](https://www.steinel.de/garantie)

Function description

Watches over the entire corridor. And can see around corners. Dual US KNX ultrasonic motion detector, ideal for corridors and passageways. Reliable detection within 20 m, envelops objects as opposed to penetrating them, detection regardless of temperature, electronically adjustable reach, with digital BUS interface for controlling 4 lighting channels and HVAC.

Dual US

V3 KNX - in-ceiling installation
 EAN 4007841 079604
 Article number 079604



Technical specifications

Type	Presence detector
Dimensions (L x W x H)	109 x 120 x 120 mm
Mains power supply	30 V
Power consumption	0,7 W
Sensor Technology	Ultrasonic
Application, place	Indoors
Installation site	ceiling
Installation	In-ceiling installation
Mounting height	2,50 – 3,5 m
Reach, radial	20 x 3 m (60 m ²)
Reach, tangential	20 x 3 m (60 m ²)
Ultrasonic technology	40 kHz
Detection angle	360 °
Angle of aperture	180 °
Optimum mounting height	2,8 m
Mechanical scalability	No
Sneak-by guard	Yes
Capability of masking out individual segments	No
Electronic scalability	Yes
Twilight setting TEACH	Yes
Twilight setting	10 – 1000 lx

Time setting	0 s – 1092 Min.
Constant-lighting control	Yes
Basic light level function	Yes
Basic light level function time	1-255 min
KNX functions	Photo-cell controller, Basic light level function, Light level, HVAC output, Constant-lighting control, Light output 4x, Presence output, Day / night function, Logic gate
With bus coupling	Yes
Settings via	ETS software, Remote control, Bus, Smart Remote
With remote control	Yes
Interconnection	Yes
Type of interconnection	Master/master, Master/slave
IP-rating	IP20
Material	Plastic
Ambient temperature	-25 – 55 °C
Application, room	corridor / aisle, Indoors
Colour	white
Colour, RAL	9010
Manufacturer's Warranty	5 years
Version	KNX - in-ceiling installation
PU1, EAN	4007841079604
Technology, sensors	Photo-cell controller, Ultrasonic

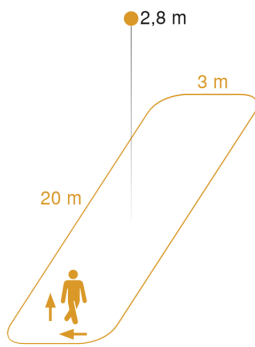
Accessories

EAN 4007841 003036	Control PRO guard cage
EAN 4007841 009151	Remote control Smart Remote
EAN 4007841 593018	Service remote control RC6 KNX
EAN 4007841 592912	User remote control RC7 KNX

Dual US

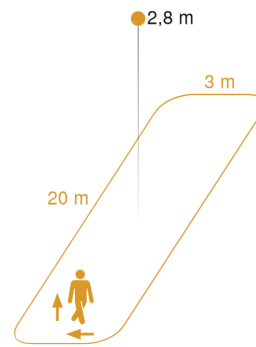
V3 KNX - in-ceiling installation
EAN 4007841 079604
Article number 079604

Detection Zone 1



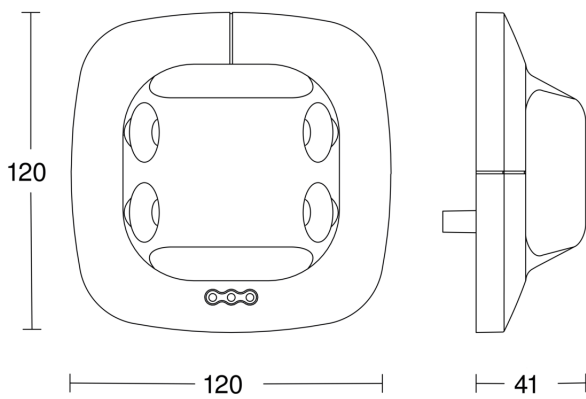
Mögliche Montagehöhe: 2,50 m – 3,50 m
Orange: radial und tangential

Detection Zone 2



Mögliche Montagehöhe: 2,50 m – 3,50 m
Orange: radial und tangential

Dimension Drawing 1



Dimension Drawing 2

