

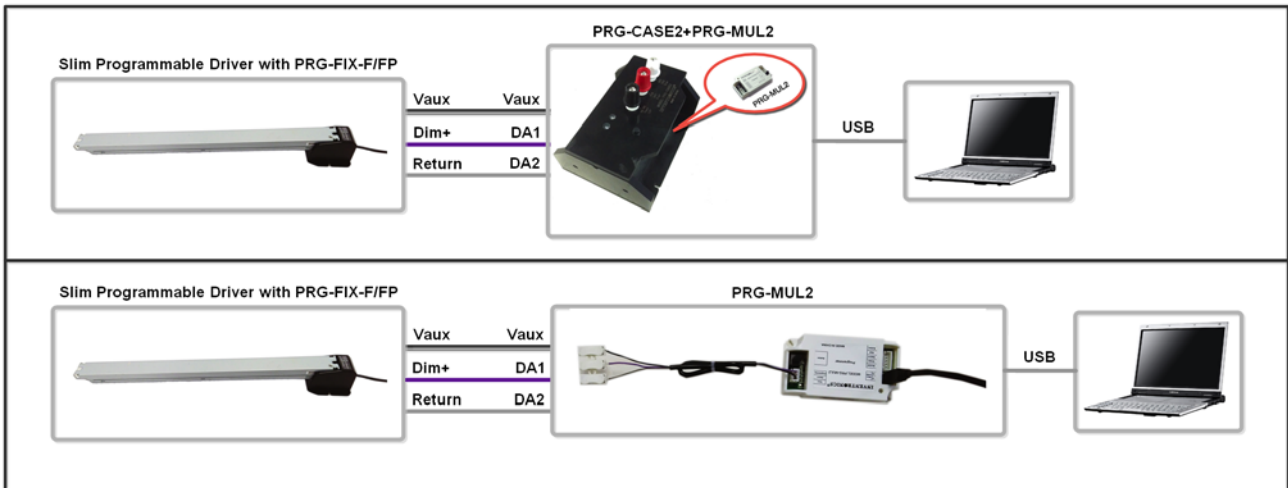
Features

- Fast Plug-in Programming for Inventronics Slim Drivers



Description

The PRG-FIX-F/FP is a fast programming fixture for Inventronics slim programmable drivers.



Model

Name	Description	Model Number
Programming Fixture	For mass programming Application	PRG-FIX-F
Programming Fixture	For mass programming Application	PRG-FIX-FP

Compatible List

Fixture	Driver Model Number	Note
PRG-FIX-F	LUD-060SxxxDSF	No need of AC power when programming
	LUD-060SxxxBSF	
	LUD-060SxxxDS2	
	LUD-040SxxxDSF	
PRG-FIX-FP	LUD-040SxxxBSF	
	LUD-060SxxxBS2	

Compatible List (Continued)

Fixture	Driver Part Number	Note
PRG-FIX-FP	LBD-075SxxxBSF	No need of AC power when programming

Environmental Specifications

Parameters	Min	Typ	Max	Note
Operating temperature	-20 °C	-	+50 °C	Humidity: 10%RH to 90%RH. No condensation.
Storage temperature	-40 °C	-	+70 °C	Humidity: 5%RH to 90%RH. No condensation.

General Specifications

Parameter	Min.	Typ.	Max.	Notes
Dimensions Inches (L x W x H) Millimeters (L x W x H)	2.62 x 2.34 x 1.77 66.5 x 59.5 x 45.0			
Net Weight	-	56 g	-	

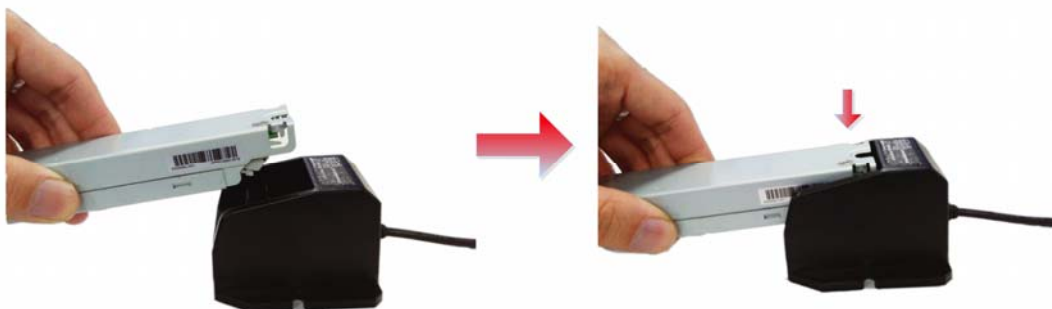
Note: All specifications are typical at 25°C unless otherwise stated.

Packing List

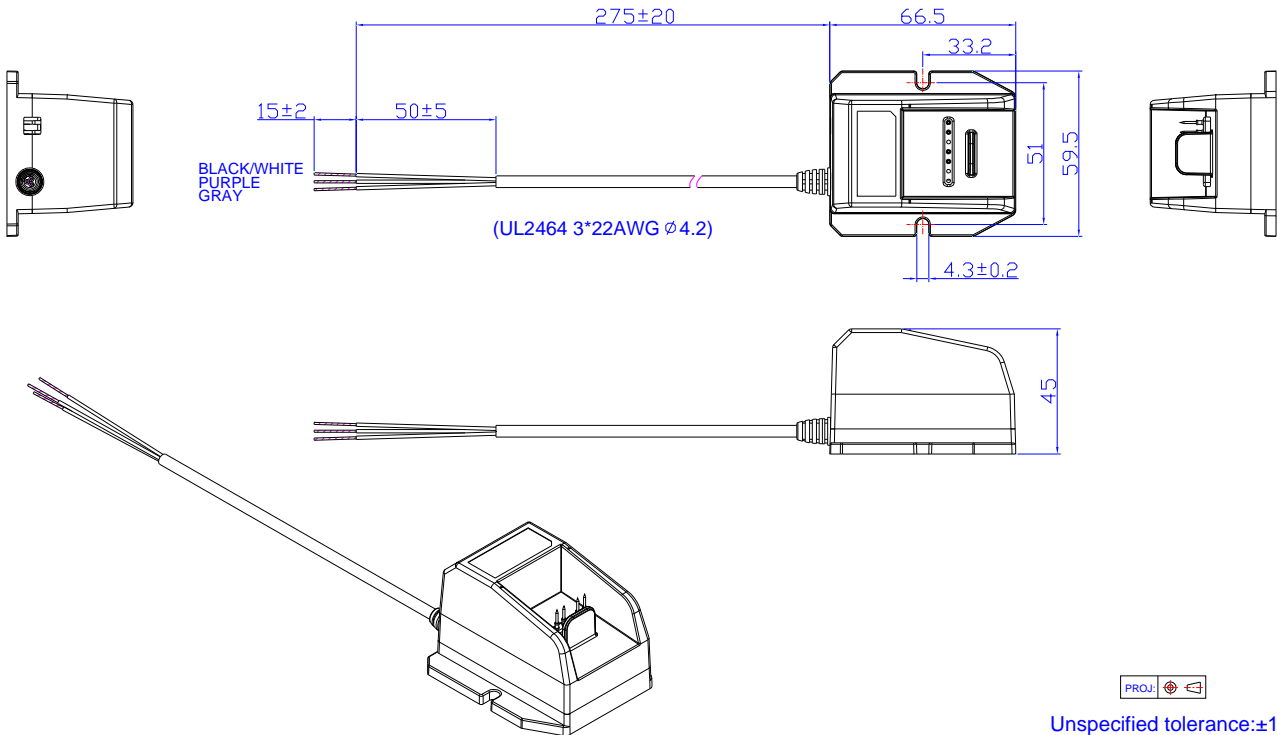
Packing List	Function
PRG-FIX-F/FP	Fixture

Diagram

For better stability, mount the PRG-FIX-F/FP to a table before programming.



Mechanical Outline



RoHS Compliance

Our products comply with the European Directive 2011/65/EC, calling for the elimination of lead and other hazardous substances from electronic products.

Revision History

Change Date	Rev.	Description of Change		
		Item	From	To
2015-11-18	A	Datasheet Release	/	/
2016-07-04	B	Compatible List - Driver Part Number - LUD-040SxxxDSF	/	Added
2017-08-14	C	Compatible List - Driver Part Number - LBD-075SxxxBSF	/	Added
		Dimensions		
		Inches (L x W x H) Millimeters (L x W x H)	2.59 x 2.36 x 1.77 66 x 60 x 45	2.62 x 2.34 x 1.77 66.5 x 59.5 x 45.0
		Mechanical Outline	/	Updated