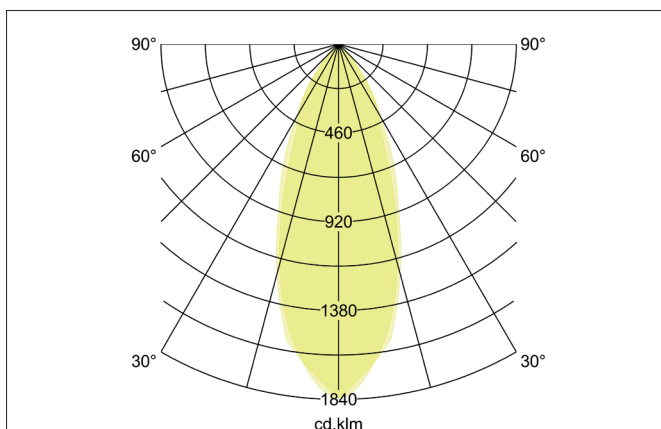
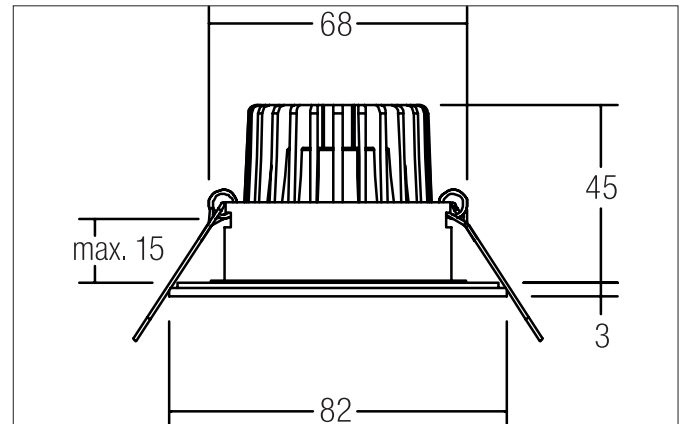


BB15 LED recessed downlight set BB15, V4A, IP54, phase dimmable**le**

Artikel-Nr. 39375423

Licht.
Für Generationen.**Tender**

LED recessed downlight set BB15, V4A, IP54, phase dimmable, stainless steel, round. In a compact design, for installation in tool-less rapid assembly systems. Set including a converter for 230-V mains voltage, trailing-edge phase dimmable, dimensions of converter: L 110 x W 50 x H 19 mm. Mounting method: Recessed mounting, Place of installation: Ceiling-mounted, Material:, Degree of protection: according to DIN EN 60529 IP54*, Protection class: (EN 61140) II, Voltage: 230V AC 50Hz, Power: 6W, Amount of light sources / fittings: 1.0 Qty, Luminous flux: 680lm, Colour temperature: 3.000 K, Light colour : White, Beam angle: 38°, Adjustability: Not adjustable, With control gear: Yes, Control: Trailing-edge phase.

Article data	
Artikel-Nr.	39375423
GTIN	4251433916901
Series name	BB15
Kurzbeschreibung	LED recessed downlight set BB15, V4A, IP54, phase dimmable
Material	Stainless steel / Aluminium / Glass
Colour	Stainless steel
Type of surface	Matt
Shape	round
Outer diameter	82 mm
Built-in diameter	68 mm
Installation depth	45 mm
weight	0.326 kg

BB15 LED recessed downlight set BB15, V4A, IP54, phase dimmable

Artikel-Nr. 39375423

Licht.
Für Generationen.

Lighting technology	
Colour temperature	3000 K
Light colour	White
Light output	Direct
Luminous flux	680 lm
System efficiency	113 lm/W
Colour rendering	CRI > 80
Reflector	High-gloss
Beam angle	38 °
Light sharing	Symmetric

Operating technology of the luminaires	
System output	6 W
Voltage type	AC
AC nominal voltage max	230 V
Frequenz max.	50 Hz
Lamp	LED
Protection class	II
Degree of protection	IP54
Schutzart deckenseitig	IP20
Control	Trailing-edge phase
Leuchtmittelwechsel möglich	ja

Operating technology of driver	
Control	Trailing-edge phase

Mounting technology	
Mounting method	Recessed mounting
Place of installation	Ceiling-mounted
Adjustability	Not adjustable
Further references	V4A No cover with thermal insulation material

Packing data	
Gross weight	0.404 kg
Length of packaging	100 mm
Packaging width	100 mm
Packaging height	100 mm