

# PRODUCT DATASHEET

## ENDURA PRO SPOT SENSOR 8W 840 IP55 DG

ENDURA® PRO SPOT SENSOR | High efficiency wall sensor luminaires with narrow beam angle in innovative optical design



---

### Areas of application

- Outdoor
- Entrance areas
- Arcade passage

---

### Product benefits

- Small spotlight for precise illumination
- Lighting according to requirements due to adjustable luminaire head
- Easy and quick installation

---

### Product features

- 4 operating modes selectable (light 6h continuous on, standby, switch-on by movement or dusk)
- Adjustable luminaire head
- Type of protection: IP55
- Impact resistance: IK05
- Protection class: II



## TECHNICAL DATA

### Electrical data

Nominal wattage	8.00 W
Nominal voltage	220...240 V
Mains frequency	50...60 Hz
Nominal current	45 mA
Inrush current	5 A
Inrush current time $T_{h50}$	50 $\mu$ s
Max. no. of lum. on circuit break. B16 A	150
Max. no. of lum. on circuit break. C10 A	120
Max. no. of lum. on circuit break. C16 A	192
Power factor $\lambda$	> 0.85
Protection class	II
Operating mode	Mains voltage

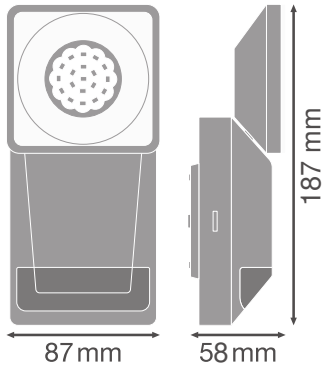
### Photometrical data

Luminous flux	750 lm
Total luminous flux of contained light sources	1070 lm
Luminous efficacy	86 lm/W
Color temperature	4000 K
Light color (designation)	Cool White
Color rendering index Ra	$\geq 80$
Standard deviation of color matching	$\leq 6$ sdc
Photobiological safety group acc. to EN62778	RG1
Photobiological safety group acc. to EN62471	RG1
Beam angle	50 °

### Dimensions & Weight

Length	87.00 mm
Width	58.00 mm
Height	187.00 mm
Product weight	306.00 g





### Materials & Colors

Product color	Dark grey
Housing color	Dark gray
Body material	Polycarbonate (PC)
Cover material	Polycarbonate (PC)
Mercury content	0.0 mg

### Application & Mounting

Ambient temperature range	-20...+40 °C
Temperature range at storage	-25...+70 °C
Type of connection	Terminal, 3-Pole (L, N, PE)
Type of protection	IP55
Protection class IK (shock resistance)	IK05
Dimmable	No
Mounting type	Surface
Mounting location	Wall
Application environment	Outdoor
LED module replaceable	Not replaceable
With light source	Yes

### Lifespan

Lifespan L70/B50 at 25 °C	30000 h
Number of switching cycles	100000

### Control gear



Output current	220...280 mA
----------------	--------------




### Sensor

Type of sensor	Light / Motion
Sensor technology	Passive infrared (PIR)
Sensor detection angle	180 °
Sensor controlled switching time	2 s...15 min
Detection range of motion sensor	12 m
Detection threshold of daylight sensor	1...1000 lx

### Certificates & Standards

Standards	CE / EAC / REACH / RoHS
-----------	-------------------------

### DOWNLOAD DATA

DOWNLOAD DATA	
	User instruction
	Tender documents
	Declarations of conformity

### LOGISTICAL DATA

Product code	Packaging unit (Pieces/Unit)	Dimensions (length x width x height)	Gross weight	Volume
4058075228894	Shipping box 6	378 mm x 219 mm x 213 mm	2605.00 g	17.63 dm <sup>3</sup>

The mentioned product code describes the smallest quantity unit which can be ordered. One shipping unit can contain one or more single products. When placing an order, for the quantity please enter single or multiples of a shipping unit.

### DISCLAIMER

Subject to change without notice. Errors and omission excepted. Always make sure to use the most recent release.