

# IS 345

COM1 - concealed, rd.  
EAN 4007841 033811  
Article number 033811



infrared sensor  
360°



max. 20 x 4 m

2000 W

2000 W max.  
(LED-ready)



IP20



2 - 1000 lux



5 sec - 15 min



manual override  
4h



ideal 2,5 - 5 m

Teach

Teach mode



energy saving

## Function description

Huge reach. Infrared motion detector IS 345 for indoors and out, ideal for passageways, corridors and commonly used spaces, installation height 5 m, detection zone 12 x 6 m (radial) and 23 x 6 m (tangential), heavy-duty relay for high switching capacity. Available either in round or square surface-mounted, concealed or In-ceiling installation.

# IS 345

COM1 - concealed, rd.  
 EAN 4007841 033811  
 Article number 033811



## Technical specifications

Type	Motion detectors	Fluorescent lamps, uncorrected	1000 VA
Dimensions (Ø x H)	124 x 78 mm	Fluorescent lamps, series-corrected	400 VA
Mains power supply	220 – 240 V / 50 – 60 Hz	Fluorescent lamps, parallel-corrected	400 VA
Sensor Technology	passive infrared	Switching output 1, low-voltage halogen lamps	2000 VA
Application, place	Indoors	LED lamps	100 W
Installation site	ceiling	LED lamps > 2 W	300 W
Installation	Concealed wiring	LED lamps > 8 W	600 W
Mounting height	2,50 – 5,00 m	Capacitive load in µF	176 µF
Reach, radial	12 x 6 m (72 m <sup>2</sup> )	Constant-lighting control	No
Reach, tangential	23 x 6 m (138 m <sup>2</sup> )	Basic light level function	No
Detection angle	360 °	Functions	Normal / test mode, Manual ON / ON-OFF
Angle of aperture	45 °	Settings via	Remote control, Potentiometers, Smart Remote
Switching zones	280 switching zones	With remote control	No
Optimum mounting height	2,8 m	Interconnection	Yes
Mechanical scalability	No	Type of interconnection	Master/master
Sneak-by guard	Yes	IP-rating	IP20
Capability of masking out individual segments	Yes	Material	Plastic
Electronic scalability	No	Ambient temperature	-20 – 50 °C
Twilight setting TEACH	Yes	Application, room	corridor / aisle, multi-storey / underground car park, Indoors
Twilight setting	2 – 1000 lx	Colour	white
Time setting	5 s – 15 Min.	Colour, RAL	9003
Output	2000 W	Manufacturer's Warranty	5 years
Switching output 1, resistive	2000 W	Version	COM1 - concealed, rd.
Switching output 1, number of LEDs / fluorescent lamps	8 pcs.	PU1, EAN	4007841033811
Fluorescent lamps, electronic ballast	1500 W		

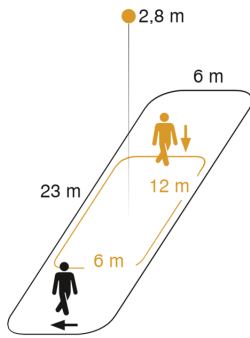
## Accessories

EAN 4007841 009151	Remote control Smart Remote
EAN 4007841 559410	Service remote control RC8
EAN 4007841 056742	Black cover for IR-sensors

# IS 345

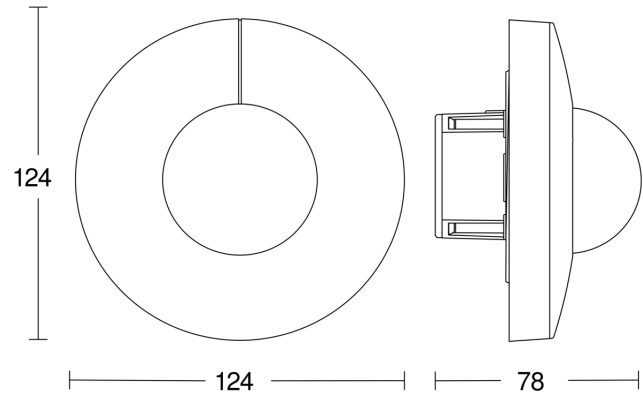
COM1 - concealed, rd.  
EAN 4007841 033811  
Article number 033811

## Detection Zone

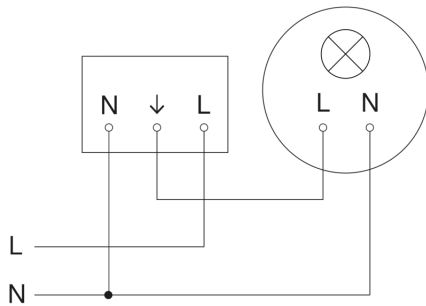


Mögliche Montagehöhe: 2,50 m – 5,00 m  
Orange: radial  
Schwarz: tangential

## Dimension Drawing



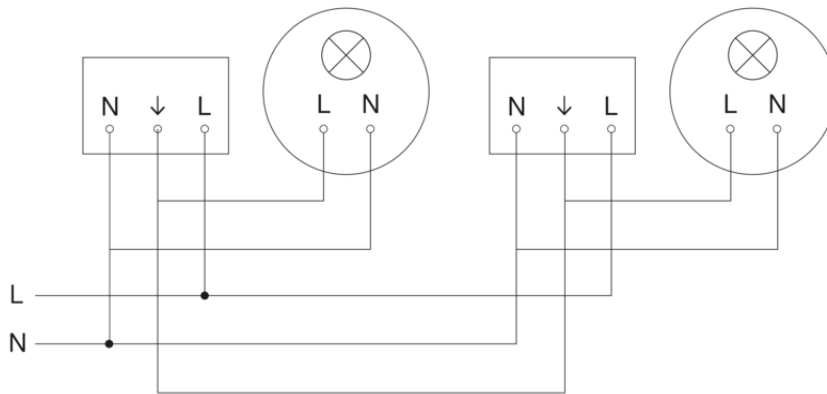
## Master circuit diagram



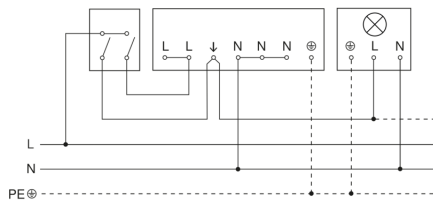
# IS 345

COM1 - concealed, rd.  
EAN 4007841 033811  
Article number 033811

## Master/slave interconnection circuit diagram



## Connection using two-circuit switch for manual and automatic operation



## Connection via a two-way switch for manual override and automatic operation

