



HF-Regulator II for TL-D lamps

HF-R 418 TL-D EII 220-240V 50/60Hz

High-frequency electronic dimming ballast, using the analog protocol (1-10 V) for TL-D lamps

Product data

| General Information | |
|--|------------------|
| Application Code | EII |
| Type Version | mk1 |
| Lamp Type | TL-D |
| Number Of Lamps | 4 piece/unit |
| Number Of Products On MCB (16A Type B) (Nom) | 12 |
| Automatic Restart | Yes |
| Operating and Electrical | |
| Input Voltage | 220 to 240 V |
| Input Frequency | 50 to 60 Hz |
| Operating Frequency (Max) | 97 kHz |
| Operating Frequency (Min) | 46 kHz |
| Ignition Method | Programmed Start |
| Crestfactor (Max) | 1.7 |
| Power Factor 100% Load (Nom) | 0.98 |
| Ignition Time (Max) | 0.2 s |
| Mains Voltage Performance (AC) | -8%+6% |
| Mains Voltage Safety (AC) | -10%+10% |
| Earth Leakage Current (Max) | 0.5 mA |

| Inrush Current Width | 0.40 ms |
|--|--|
| Power Losses (Nom) | 13.4 W |
| Inrush Current Peak (Max) | 45 A |
| Wiring | |
| Connector Type Input Terminals | WAGO 251 universal connector [Suitable for both automatic wiring (ALF and ADS) and manual wiring] |
| Connector Type Output Terminals | WAGO 251 universal connector [Suitable for both automatic wiring (ALF and ADS) and manual wiring] |
| Connector Type Control Input Terminals | WAGO 251 universal connector [Suitable for both automatic wiring (ALF and ADS) and manual wiring] |
| Wire Striplength | 8.0-9.0 mm |
| Dual Fixture Master/Slave | - [not specified] |
| Control Input Terminal Cross Section | 0.50-1.00 mm ² |
| Input Terminal Cross Section | 0.50-1.00 mm ² |
| Output Terminal Cross Section | 0.50-1.00 mm ² |
| Auto Insert (ALF/ADS) Wire Cross Section | 0.5 mm ² |

HF-Regulator II for TL-D lamps

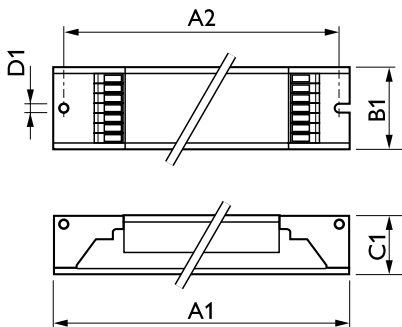
| System characteristics | |
|-----------------------------------|------------------------|
| Rated Ballast-Lamp Power | 18 W |
| Temperature | |
| T-Ambient (Max) | 50 °C |
| T-Ambient (Min) | -20 °C |
| T-Storage (Max) | 80 °C |
| T-Storage (Min) | -25 °C |
| Stable Lamp Operation Temperature | Not Specified |
| T-Ignition (Max) | 50 °C |
| T-Ignition (Min) | 0 °C |
| Controls and Dimming | |
| Control Interface | 1-10V |
| Regulating Level Power | 1%-100% |
| Control Input Protection | Yes (Basic insulation) |
| Mechanical and Housing | |
| Housing | L 359x39x22 |
| Emergency Operation | |
| Battery Voltage Lamp Ignition | 196 V |
| Battery Voltage Lamp Operation | 154-276 |
| Approval and Application | |
| Energy Efficiency Index | A1 |
| EMI 9 kHz ... 30 MHz | EN55015 |

| | |
|------------------------------------|---|
| EMI 30 MHz ... 1000 MHz | EN55022 level B |
| Safety Standard | IEC 61347-2-3 |
| Performance Standard | IEC 60929 |
| Quality Standard | ISO 9000:2000 |
| Environmental Standard | ISO 14001 |
| Harmonic Current Emission Standard | IEC 61000-3-2 |
| EMC Immunity Standard | IEC 61547 |
| Vibration Standard | IEC68-2-6 F c |
| Bumps Standard | IEC 68-2-29 Eb |
| Humidity Standard | EN 61347-2-3 clause 11 |
| Approval Marks | CE marking ENEC certificate VDE-EMV certificate |
| Temperature Marking | Yes |
| Emergency Standard | IEC 60598-2-22 |
| Hum And Noise Level | Inaudible |

Product Data

| | |
|---------------------------------|------------------------------------|
| Full product code | 871150091366130 |
| Order product name | HF-R 418 TL-D EII 220-240V 50/60Hz |
| EAN/UPC - Product | 8711500913661 |
| Order code | 913700614666 |
| Numerator - Quantity Per Pack | 1 |
| Numerator - Packs per outer box | 10 |
| Material Nr. (12NC) | 913700614666 |
| Net Weight (Piece) | 0.370 kg |

Dimensional drawing



HF-R 418 TL-D EII 220-240V 50-60Hz

| Product | D1 | C1 | A1 | A2 | B1 |
|------------------------------------|--------|-------|--------|--------|-------|
| HF-R 418 TL-D EII 220-240V 50/60Hz | 4.2 mm | 22 mm | 359 mm | 350 mm | 39 mm |

HF-Regulator II for TL-D lamps

