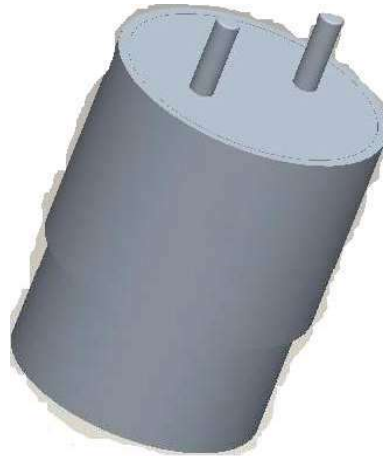
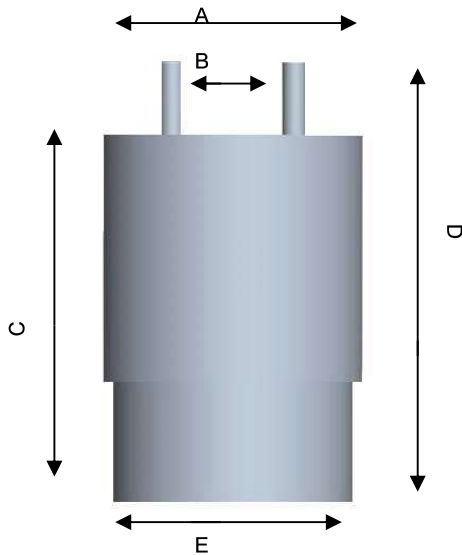




Product Specification EiKO-Europe GmbH
EiKO Part No.: BAL004
T8 to T5 Adapter 25mm für 24/28/35/49/54W



Drawing not to scale /
All dimensions in mm

KEMA hereby declares that the above-mentioned product has been certified on the basis of:

- a type test according to the standard EN 60400:1996;
- an inspection of the production location according to CENELEC Operational Document CIG 021
- a certification agreement with the number 2096535

Type:	A	27mm	
	B	10,3mm	
	C	37,2mm	
	D	44,5mm	
	E	24mm	
Issue No.:	1	Date:	01.12.2008
Signature:	M.Rihm		

Geschäftsführer: Rainer Wittemann

Gerichtstand Kandel

Registergericht Kandel: HRB 21809

Ust.-Ident.-Nr. DE212152661

WEEE-REG.-Nr. DE 56736279

Telefon: +49 (0) 7271 / 7607-0

Telefax: +49 (0) 7271 / 7607-29

E-Mail: info@eiko-europe.de

Website: www.eiko-europe.de

Bankverbindung:

Sparkasse Germersheim - Kandel

BLZ 548 514 40 / Konto 1000 0538 90

IBAN DE29 5485 1440 1000 0538 90

SWIFT-BIC.MALADE511KAD