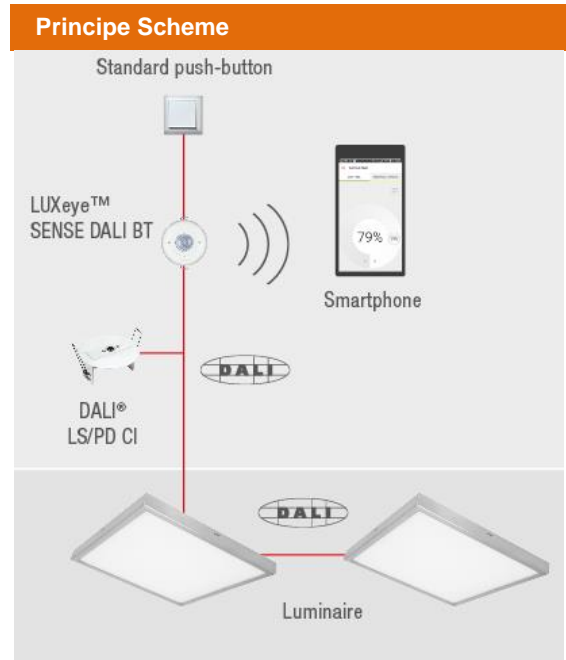


# Technical Info's LUXeye Sense DALI BT



The **LUXeye Sense DALI BT** is a controller with integrated sensors for energy saving and a smart interface for comfort lighting.

**Simplicity is the core of the system**

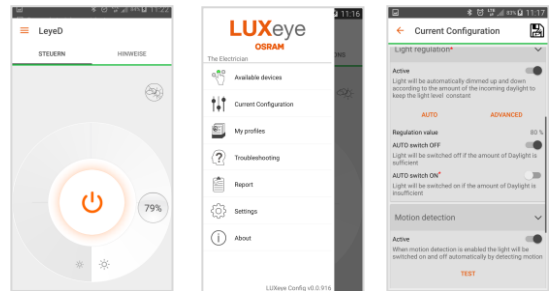
The product is designed to adjust itself automatically and start operating immediately after mains switch on.

General Basic functions, such as light level and delay time, can be easily adjusted with a screwdriver. This quick and easy way of light management saves time and requires no extra commissioning tools.

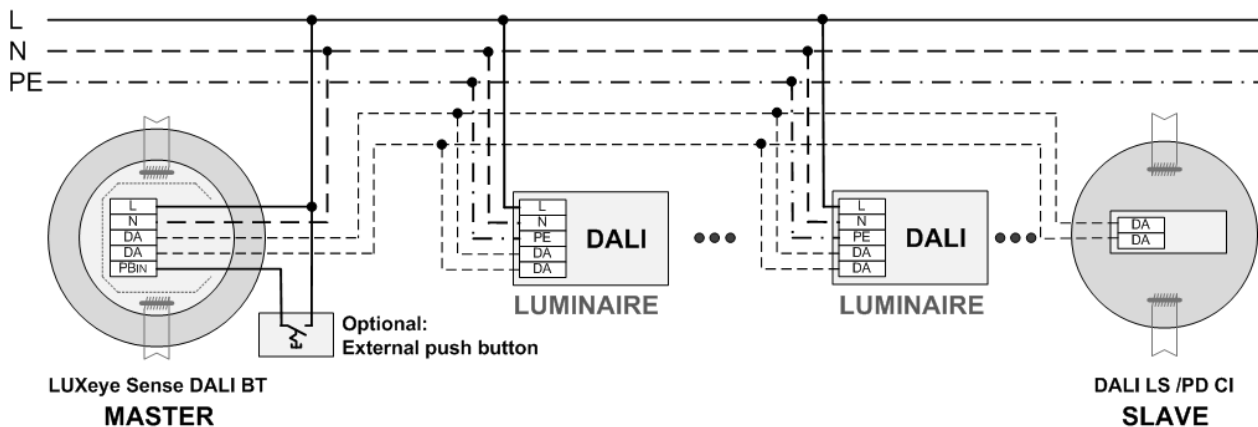
For full flexibility, all functions can be modified with the LUXeye™ Config APP for customization and analysis. A smart device can adapt every parameter of each individual controller. An integrated wizard supports you on site.

The LUXeye can be controlled via smart device or traditionally with a standard push button.

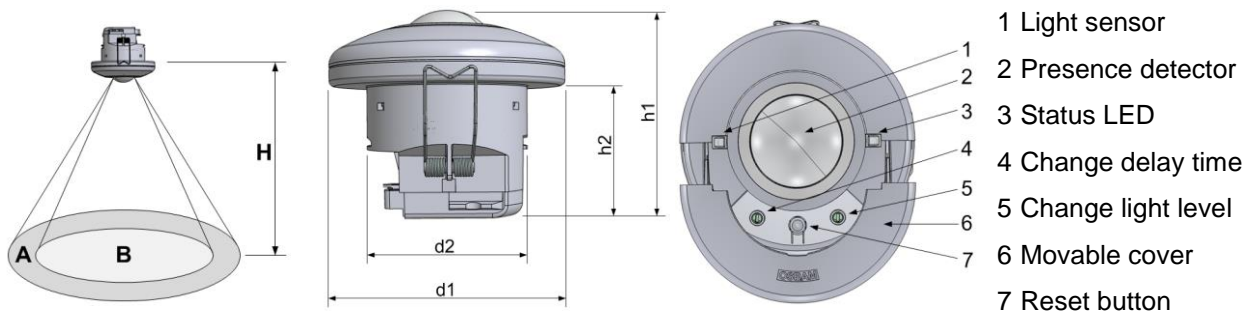
**APPs for controlling and commissioning**  
Free for Android and IOS



## Wiring Scheme



## Technical Info's LUXeye Sense DALI BT



### LUXeye Sense DALI BT ordering code

Ordering Code - EAN	Ordering text	Description
4052899957411	LEYE S DALI BT	LUXeye Smart DALI Energy Saving Module

### Data Specification

Supply voltage	220V - 240V AC +/- 10%		
System wattage	0.4W		
Ambient temperature	0°C ... + 55°C		
Protection type	IP20		
Protection class	II		
Motion detection technology	Passive Infrared (PIR)		
Detection range (approx.. diameter)	Mounting height	Movement detection	Presence detection
	@ H = 2,5m	A = 6m	B = 5m
	@ H = 3m	A = 7m	B = 6m
	@ H = 4m	A = 8m	B = 7m
	@ H = 5m	A = 10m	B = -
Light sensor	v(λ) corrected, 20 ... 5000 lx (@sensor) detection angle approx. 2x30°		
DALI current supply	80 mA		
Number of DALI drivers	max. 20		
Number of DALI inputs	max. 3		
DALI Standard	IEC 62386 Ed. 1		
Safety	EN 60669-1, EN 60669-2-5, EN 62479		
EMC/ EMI	EN 55015, EN 55022, EN 61000-3-2, EN 61000-3-3		
EMC/ Immunity	EN 61000-4-2, EN 61000-4-3, EN 61000-4-4, EN 61000-4-5, EN 61000-4-6, EN 61000-4-8, EN 61000-4-11		
Communication	EN 62386 Ed.1, ETSI EN 300 328, ETSI EN 301 489-1, ETSI EN 301 489-17		
Dimensions	d1 = 95mm d2 = 65mm	h1 = 81mm h2 = 51mm	
Weight	144 g		
Mounting type	Ceiling integration		
Installation depth	min. 55mm		
Mounting hole	68mm – 80mm diameter		
Bluetooth interface	Bluetooth 4.0 LE		
Bluetooth connection range	max. 15m		
Smartphone requirements	Android 4.x (Samsung Galaxy S4 or newer) iOS 8.4 (i-Phone 5s or newer)		
Accessories	2x shutter for different detection areas		