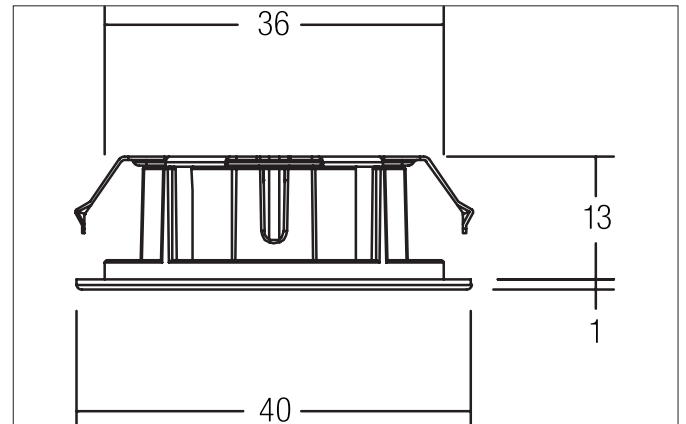
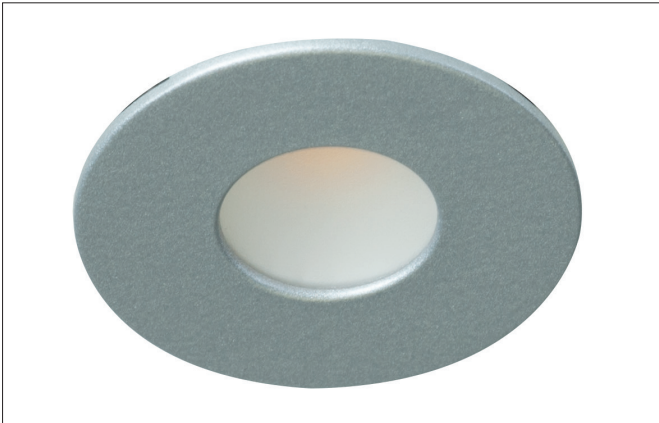


**LED recessed downlight**

Artikel-Nr. 12095263

Licht.  
Für Generationen.**Tender**

LED recessed downlight, alu, round. In a compact design, for installation in tool-less rapid assembly systems. Lamp optimized for installation in furniture and wood-based materials. Mounting method: Recessed mounting, Place of installation: Ceiling-mounted, Material: Aluminium / Plastic, Degree of protection: according to DIN EN 60529 IP20, Protection class: (EN 61140) III, Voltage: 12V, Power: 2W, Amount of light sources / fittings: 1.0 Qty, Luminous flux: 175lm, Colour temperature: 3.200 K, Light colour : White, Beam angle: 45°, Control: Dimming depending on driver.

Article data	
Artikel-Nr.	12095263
GTIN	4251433911340
Kurzbeschreibung	LED recessed downlight
Material	Aluminium / Plastic
Colour	Alu
Shape	round
Outer diameter	40 mm
Built-in diameter	36 mm
Installation depth	13 mm
scope of delivery	Including 2,000 mm connecting cable
weight	0.051 kg

**LED recessed downlight**

Artikel-Nr. 12095263



Licht.  
Für Generationen.

Lighting technology	
Colour temperature	3200 K
Light colour	White
Luminous flux	175 lm
System efficiency	88 lm/W
Colour rendering	CRI 81
Reflector	High-gloss
Beam angle	45 °
Light sharing	Symmetric

Operating technology of the luminaires	
System output	2 W
Voltage type	DC
Lamp	LED
Protection class	III
Degree of protection	IP20
Converter - possible luminaire 1 pc.	17 106 17110
Control	Dimming depending on driver
Leuchtmittelwechsel möglich	ja

Mounting technology	
Mounting method	Recessed mounting
Place of installation	Ceiling-mounted
Adjustability	Not adjustable
stamp	MM
Further references	No cover with thermal insulation material

Packing data	
Gross weight	0.129 kg
Length of packaging	70 mm
Packaging width	47 mm
Packaging height	81 mm

Accessories	
	<p>Artikel-Nr.: 17106000            Kurzbeschreibung: LED power supply 12 V DC, on/off            Leistung: 1 - 15 W            Abmessung: 105 mm x 49 mm x 18 mm</p>
	<p>Artikel-Nr.: 17110000            Kurzbeschreibung: LED power supply 12 V DC, on/off            Leistung: 1 - 30 W            Abmessung: 185 mm x 48 mm x 20 mm</p>