

ADV Plug for output current select

General

**Product description**

- _ Ready-for-use resistor to set output current value
- _ Compatible with LED Driver serie LC flexC ADV; not compatible with I-select (generation 1) and I-select 2 (generation 2)
- _ Resistor is base isolated
- _ Resistor power 0.25 W
- _ Current tolerance $\pm 2\%$ additional to output current tolerance
- _ Hot plug of the resistor is not permitted
- _ For detailed current setting see table "Specific technical data" of the respective LED Driver and chapter 3.7 or 3.8 Current setting in data sheet

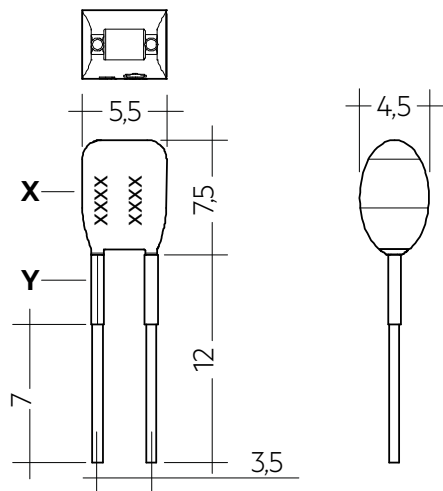
Website

<http://www.tridonic.com/28001772>



ADV Plug for output current select

General



Ordering data

Type	Article number	Colour of X area	Colour of Y area	Marking	Resistor value	Packaging, bag	Weight per pc.
ADV Plug Type B YL	28001772	Yellow	Black	B	3.16 k Ω	10 pc(s).	0.001 kg