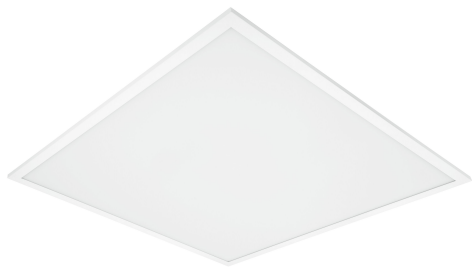


PRODUCT DATASHEET

PANEL 600 IP54 36 W 3000 K OP WT

PANEL 600 IP54 | Square recessed panel luminaires with IP54 protection and high luminous flux, 600 x 600 mm



Areas of application

- Direct replacement for luminaires with fluorescent lamps
- Hospitals
- Laboratories
- Suitable for recessed ceiling systems with grid size of 600 x 600 mm
- Kitchens, workspaces

Product benefits

- Suitable for use in dusty and damp locations thanks to high IP rating
- High lumen output reduces the total number of panels per installation
- Energy savings of up to 50 % (compared to luminaires that use fluorescent lamps)
- Low flicker light thanks to special electronic control gear
- 5 years guarantee
- Versions with DALI ECG available

Product features

- Type of protection: IP54
- Luminous flux: up to 4,320 lm
- High luminous efficacy: up to 120 lm/W
- Lifetime (L80/B50): up to 60,000 h (at 25 °C)



- Aluminum housing, PMMA diffuser



TECHNICAL DATA

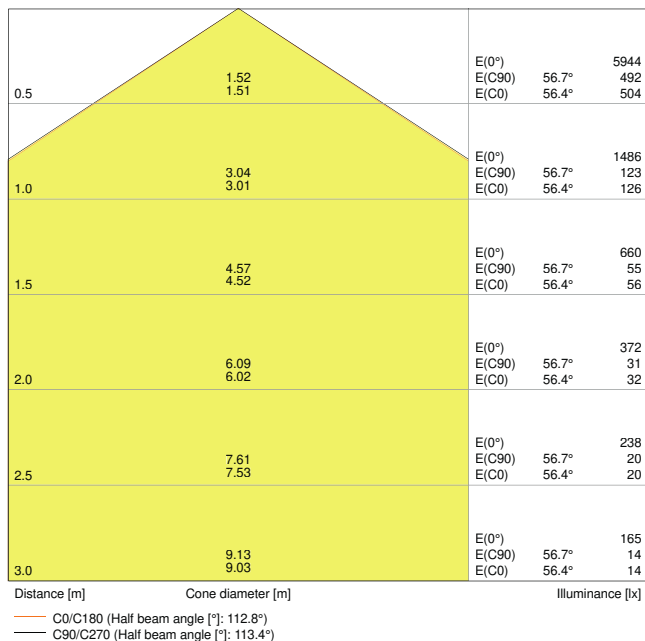
Electrical data

| | |
|--|---------------------|
| Nominal wattage | 36.00 W |
| Nominal voltage | 220...240 V |
| Mains frequency | 50/60 Hz |
| Nominal current | 190 mA |
| Inrush current | 15 A |
| Inrush current time T_{h50} | 460 μ s |
| Max. no. of lum. on circuit break. B16 A | 17 |
| Max. no. of lum. on circuit break. C10 A | 35 |
| Max. no. of lum. on circuit break. C16 A | 56 |
| Power factor λ | > 0.90 |
| Total harmonic distortion | 20 % |
| Protection class | II |
| Operating mode | External LED driver |

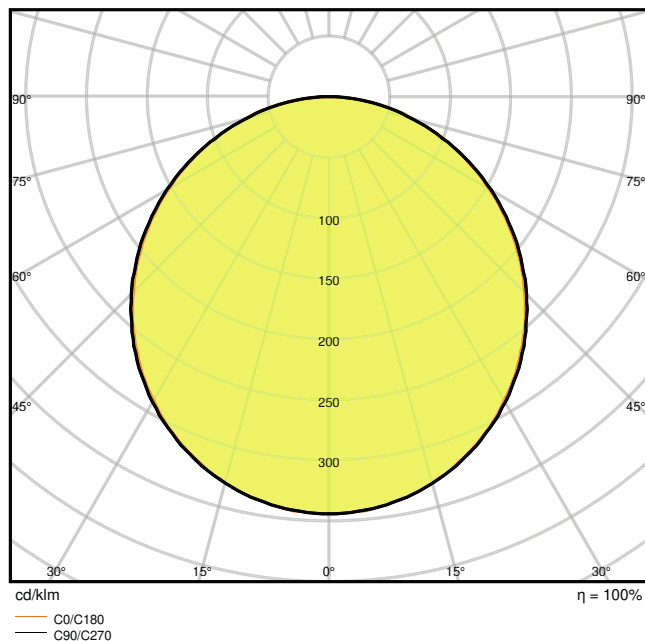
Photometrical data

| | |
|--|------------|
| Luminous flux | 4320 lm |
| Luminous efficacy | 120 lm/W |
| Color temperature | 3000 K |
| Light color (designation) | Warm White |
| Color rendering index Ra | > 80 |
| Standard deviation of color matching | 3 sdcn |
| Low flicker | Yes |
| Flickering metric (Pst LM) | - |
| Stroboscope effect metric (SVM) | - |
| Photobiological safety group acc. to EN62778 | RG0 |
| Beam angle | 120 ° |





LDC typ cone

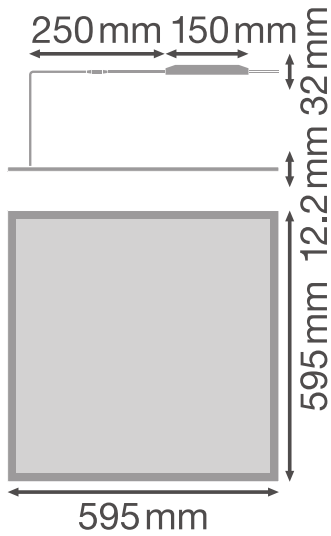


LDC typ polar

Dimensions & Weight

| | |
|----------------|-----------|
| Length | 595.00 mm |
| Width | 595.00 mm |
| Height | 12.60 mm |
| Product weight | 3200.00 g |





Materials & Colors

| | |
|--|-------------------------------|
| Product color | White |
| Housing color | White |
| Body material | Aluminum |
| Cover material | Polymethylmethacrylate (PMMA) |
| Light emitting surface material | PMMA |
| Glow Wire Test according to IEC 60695-2-12 | 650 °C |
| Mercury content | 0.0 mg |

Application & Mounting

| | |
|--|------------------------------|
| Ambient temperature range | -10...+45 °C |
| Type of connection | Screw terminal, 2-Pole (L,N) |
| Type of protection | IP54/IP20 |
| Protection class IK (shock resistance) | IK03 |
| Dimmable | No |
| Mounting type | Recessed/Suspended/Surface |
| Mounting location | Ceiling / Wall |
| Application environment | Indoor |
| Mounting length | 575 mm |
| Mounting width | 575 mm |
| Mounting depth | 50,0 mm |
| LED module replaceable | Not replaceable |



| | |
|-------------------|-----|
| With light source | Yes |
|-------------------|-----|

Lifespan

| | |
|----------------------------|---------|
| Lifespan L70/B50 at 25 °C | 80000 h |
| Lifespan L80/B10 at 25 °C | 60000 h |
| Lifespan L90/B10 at 25 °C | 35000 h |
| Number of switching cycles | 25000 |

Control gear

| | |
|--------------|---------|
| ECG - Length | 150 mm |
| ECG - Width | 41.4 mm |
| ECG - Height | 30 mm |







Certificates & Standards

| | |
|--|--------------------------------|
| Standards | CE / CB / ENEC / TÜV SÜD / EAC |
| Luminaire with limited surface temperature, "D sign" | No |
| Ball shot safe | No |

EQUIPMENT / ACCESSORIES

- Accessories for several mounting options available
- External control gear included

DOWNLOAD DATA

| DOWNLOAD DATA | |
|--|-----------------------------|
|  | User instruction |
|  | Addon Technical Information |
|  | Tender documents |
|  | Certificates |
|  | Declarations of conformity |
|  | Declarations of conformity |



DOWNLOAD DATA



Declarations of conformity



IES file (IES)



LDT file (Eulumdat)



R3D file (Relux 3D Model)



M3D file (3D Model)



ULD file (DIALux)



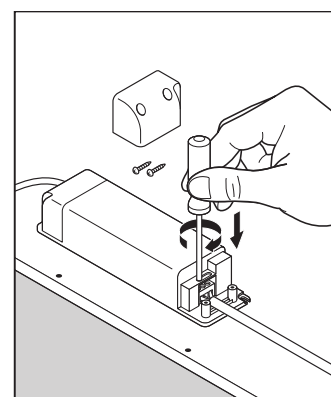
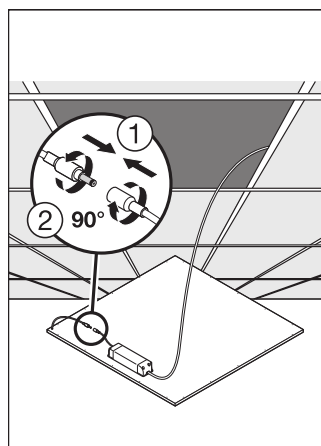
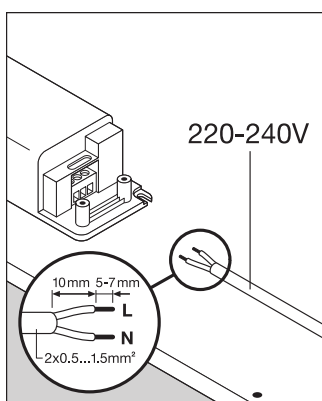
UGR file (UGR table)

LOGISTICAL DATA

| Product code | Packaging unit (Pieces/Unit) | Dimensions (length x width x height) | Gross weight | Volume |
|---------------|------------------------------|--------------------------------------|--------------|------------------------|
| 4058075149496 | Shipping box 4 | 650 mm x 270 mm x 645 mm | 14830.00 g | 113.20 dm ³ |

The mentioned product code describes the smallest quantity unit which can be ordered. One shipping unit can contain one or more single products. When placing an order, for the quantity please enter single or multiples of a shipping unit.

ADDITIONAL CATALOG INFORMATION



References / Links



- For Guarantee see www.ledvance.com/guarantee

DISCLAIMER

Subject to change without notice. Errors and omission excepted. Always make sure to use the most recent release.

