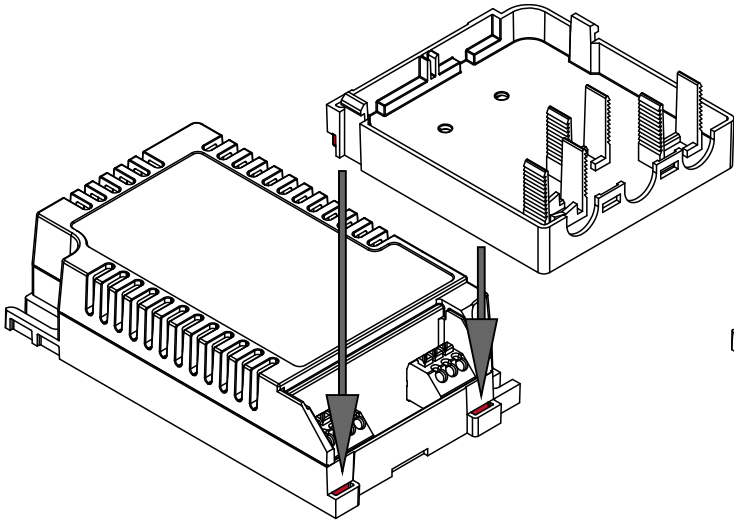


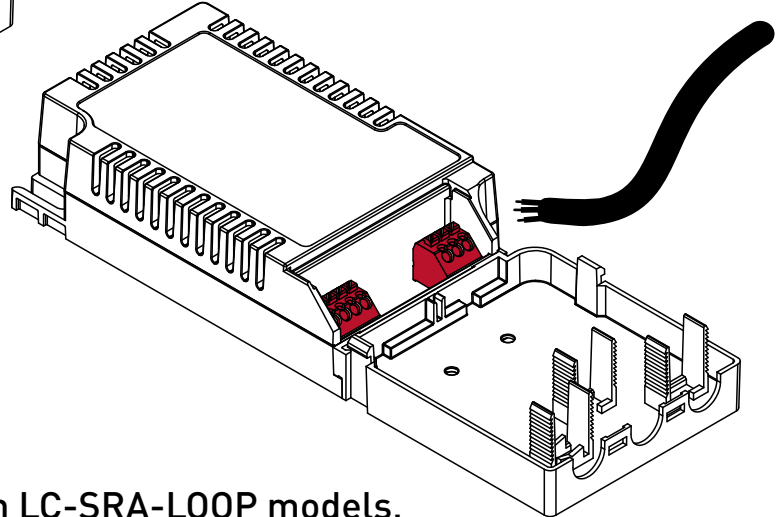
LC-SRA and LC-SRA-LOOP Strain Relief Installation Guide

freedom in lighting

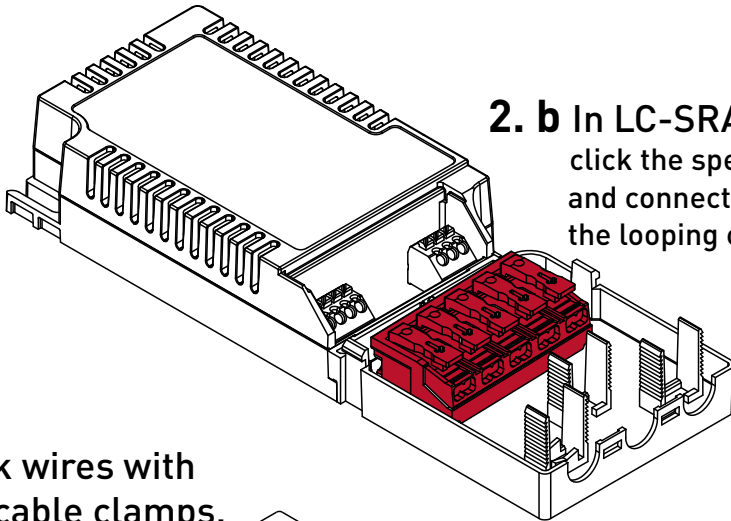
1. Lock the driver in the bottom part.



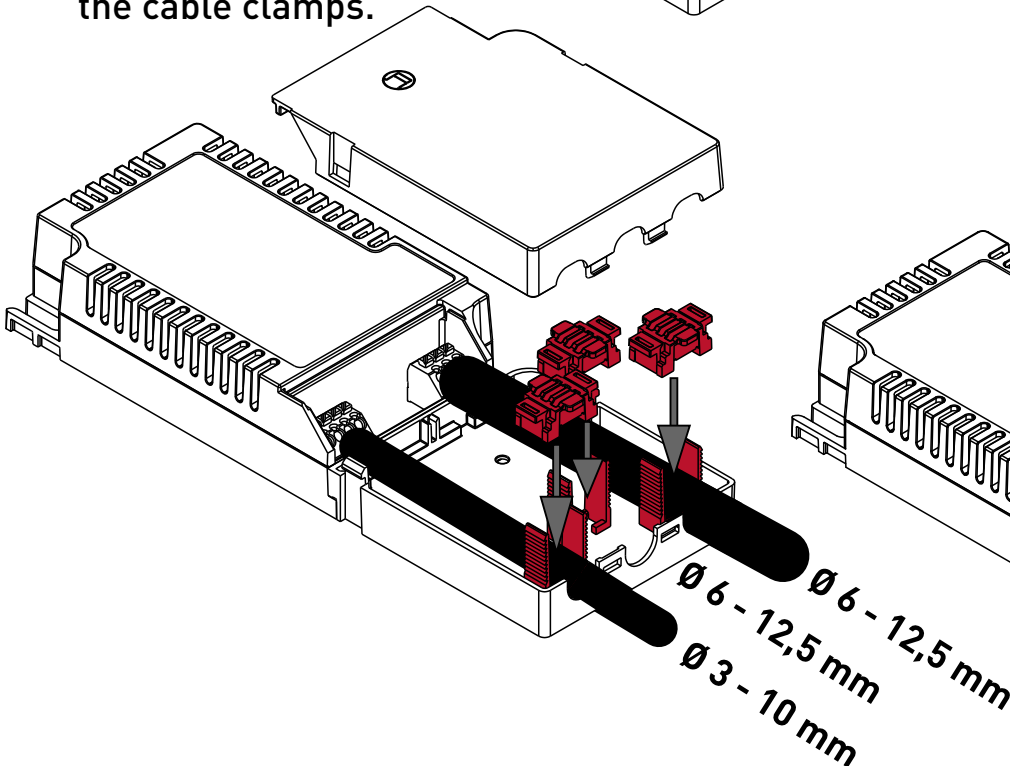
2. a Connect wires according to driver datasheet.



2. b In LC-SRA-LOOP models, click the special looping connector into place and connect the cabling also between the looping connector and the driver terminals



3. Lock wires with the cable clamps.



4. Lock the cover on the bottom part.

Ensure that the cover clicks into place!

