

Presence detector - Professional Line

# IS 3360

DALI-2 IPD - surface, rd.  
EAN 4007841 057251  
Article number 057251



infrared sensor  
360°



max. 20 m



IP54



2 - 1000 lux



ideal 2.5 - 4 m



energy saving

5 years



manufacturer's  
warranty  
steinel-professional.de/garantie

CE

## Function description

Higher, further, faster. Infrared presence detector IS 3360 for indoors and out, ideal for watching over high spaces and large areas, such as multi-storey and underground car parks, installation height up to 4 m, 360° angle of coverage, reach 20 m max. (tangential). Available either in round or square surface-mounted and concealed version. DALI-2 Input Device enables sensors to communicate collected sensor data to higher-level lighting management systems (e.g. LiveLink).

# IS 3360

DALI-2 IPD - surface, rd.

EAN 4007841 057251

Article number 057251



## Technical specifications

Type	Motion and Presence Detector
Dimensions (Ø x H)	126 x 65 mm
Mains power supply	12 – 22,5 V / 50 – 60 Hz
Power supply, detail	DALI bus
Number of Dali users	3
Sensor Technology	passive infrared
Application, place	Outdoors, Indoors
Installation site	ceiling
Installation	Surface wiring
Mounting height	2,5 – 4,00 m
Reach, radial	Ø 8 m (50 m <sup>2</sup> )
Reach, tangential	Ø 40 m (1257 m <sup>2</sup> )
Reach, presence	Ø 3 m (7 m <sup>2</sup> )
Detection angle	360 °
Angle of aperture	180 °
Switching zones	1416 switching zones
Optimum mounting height	2,8 m
Mechanical scalability	No
Sneak-by guard	Yes
Capability of masking out individual segments	Yes
Electronic scalability	No

Twilight setting TEACH	No
Twilight setting	2 – 1000 lx
Switching output 1, floating	No
Control output, Dali	Addressable/slave
Constant-lighting control	No
Basic light level function	No
Settings via	Bus
With remote control	No
Interconnection	Yes
Type of interconnection	Master/slave
IP-rating	IP54
Material	Plastic
Ambient temperature	-20 – 50 °C
Application, room	production facilities, recreation room, changing room, function room / ancillary room, sports hall, reception / lobby, stairwell, WC / washroom, multi-storey / underground car park, outdoors, warehouse, Indoors
Colour	white
Colour, RAL	9003
IDs, certificates	DALI-2
Manufacturer's Warranty	5 years
Version	DALI-2 IPD - surface, rd.
PU1, EAN	4007841057251
Technology, sensors	passive infrared, Light sensor

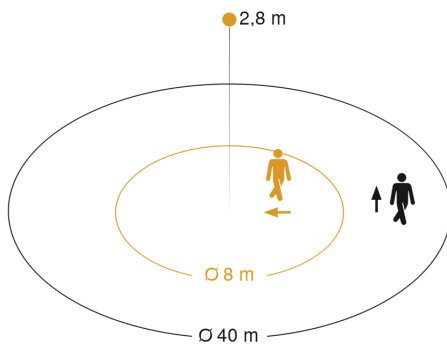
## Accessories

EAN 4007841 009151	Remote control Smart Remote
EAN 4007841 056735	Black cover for IR-sensors

# IS 3360

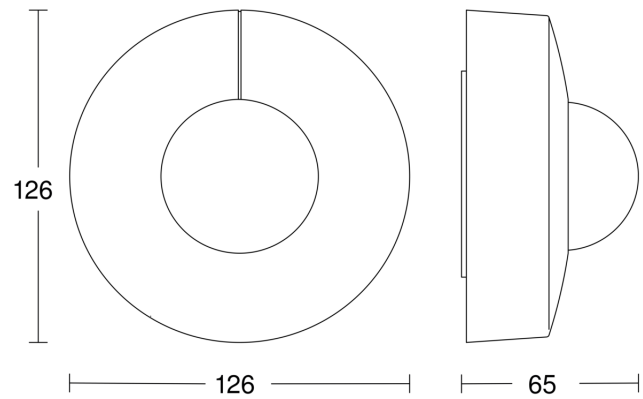
DALI-2 IPD - surface, rd.  
EAN 4007841 057251  
Article number 057251

## Detection Zone



Mögliche Montagehöhe: 2,50 m – 4,00 m  
Orange: radial  
Schwarz: tangential

## Dimension Drawing



## Circuit diagram

