

PRODUCT DATASHEET

SF BLKH EYELID 250 WT

SURFACE BULKHEAD EYELID | Attachable half-visor ring (IK10)



Product features

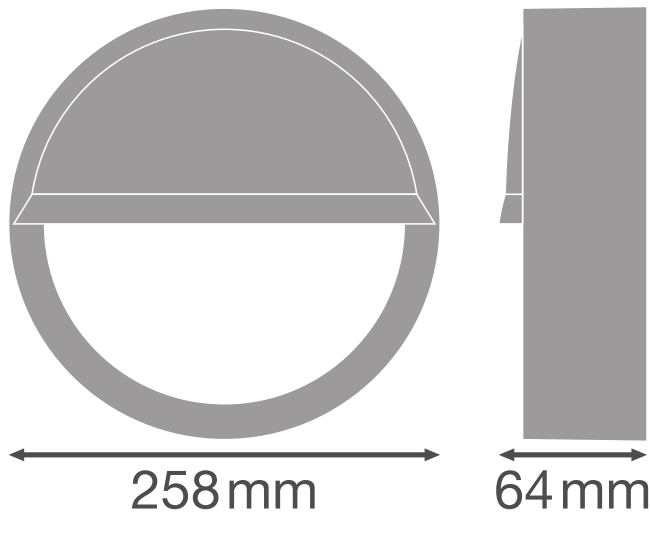
- Eyelid ring for Surface Bulkhead
- Available for 250 mm and 300 mm Bulkhead version
- Available in black and white color
- Impact resistance: IK10



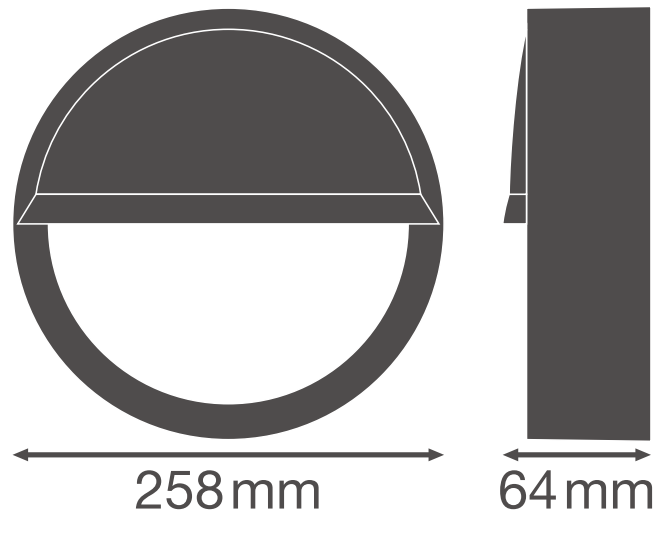
TECHNICAL DATA

Dimensions & Weight

Diameter	258 mm
Height	64,0 mm
Product weight	210.00 g



Product line drawing with numbers



Product line drawing with numbers

Materials & Colors

Product color	White
Cover material	Polycarbonate (PC)

Application & Mounting

Mounting location	Luminaire
-------------------	-----------





Certificates & Standards

Standards	CE
Luminaire with limited surface temperature, "D sign"	No

EQUIPMENT / ACCESSORIES

- Anti-theft screw included

DOWNLOAD DATA

DOWNLOAD DATA	
	User instruction
	Tender documents
	IES file (IES)
	IES file (IES)

LOGISTICAL DATA

Product code	Packaging unit (Pieces/Unit)	Dimensions (length x width x height)	Gross weight	Volume
4058075375499	Shipping box 8	550 mm x 285 mm x 315 mm	2918.00 g	49.38 dm ³

The mentioned product code describes the smallest quantity unit which can be ordered. One shipping unit can contain one or more single products. When placing an order, for the quantity please enter single or multiples of a shipping unit.

References / Links

– For Guarantee see www.ledvance.com/guarantee

DISCLAIMER

Subject to change without notice. Errors and omission excepted. Always make sure to use the most recent release.