

Motion detector - Professional Line

# HF 3360

PF - concealed, rd.

EAN 4007841 033712

Article number 033712



high frequency  
sensor 360°



max. Ø 8 m

2000 W

2000 W max.  
(LED-ready)



IP20



2 - 1000 lux



5 sec - 15 min



manual override  
4h



ideal 2 - 2,8 m

Teach

Teach mode



energy saving

## Function description

Perfection through and through. High-frequency motion detector HF 3360, ideal for basement corridors, stairwells, multi-storey car parks, installation height 2.8 m, 360° angle of coverage, reach 1 – 8 m (radial), detection regardless of temperature, HF-sensor technology also detects movement through glass, wood and stud walls, heavy-duty relay for high switching capacity. Available either in round or square surface-mounted and concealed version.

# HF 3360

PF - concealed, rd.  
 EAN 4007841 033712  
 Article number 033712



## Technical specifications

Type	Motion detectors
Dimensions (Ø x H)	124 x 64 mm
Mains power supply	220 – 240 V / 50 – 60 Hz
Sensor Technology	High frequency
Application, place	Indoors
Installation site	wall, ceiling, corner
Installation	Concealed wiring
Mounting height	2,00 – 4,00 m
Reach, radial	Ø 8 m (50 m <sup>2</sup> )
Reach, tangential	Ø 8 m (50 m <sup>2</sup> )
HF-system	5,8 GHz
Detection angle	360 °
Angle of aperture	180 °
Optimum mounting height	2,8 m
Mechanical scalability	No
Sneak-by guard	Yes
Capability of masking out individual segments	No
Electronic scalability	Yes
Detection	also through glass, wood and stud walls
Twilight setting TEACH	Yes
Twilight setting	2 – 1000 lx
Time setting	5 s – 15 Min.
Output	2000 W
Fluorescent lamps, electronic ballast	1500 W

Fluorescent lamps, uncorrected	1000 VA
Fluorescent lamps, series-corrected	400 VA
Fluorescent lamps, parallel-corrected	400 VA
Switching output 1, low-voltage halogen lamps	2000 VA
LED lamps	100 W
LED lamps > 2 W	300 W
LED lamps > 8 W	600 W
Capacitive load in µF	176 µF
Constant-lighting control	No
Basic light level function	No
Functions	Normal / test mode, Manual ON / ON-OFF
Settings via	Remote control, Potentiometers, Smart Remote
With remote control	No
Interconnection	Yes
Type of interconnection	Master/master
IP-rating	IP20
Material	Plastic
Ambient temperature	-20 – 50 °C
Application, room	function room / ancillary room, stairwell, WC / washroom, multi-storey / underground car park, Indoors
Colour	white
Colour, RAL	9003
Manufacturer's Warranty	5 years
Version	PF - concealed, rd.
PU1, EAN	4007841033712

## Accessories

EAN 4007841 009151	Remote control Smart Remote
EAN 4007841 559410	Service remote control RC8
EAN 4007841 056704	Black cover for HF 3360

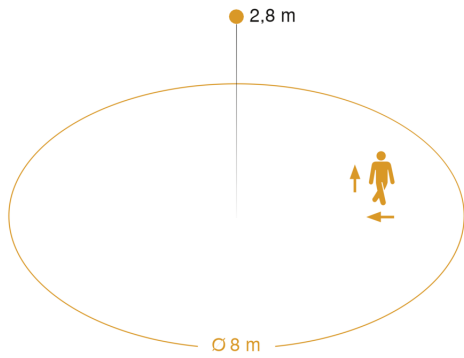
# HF 3360

PF - concealed, rd.

EAN 4007841 033712

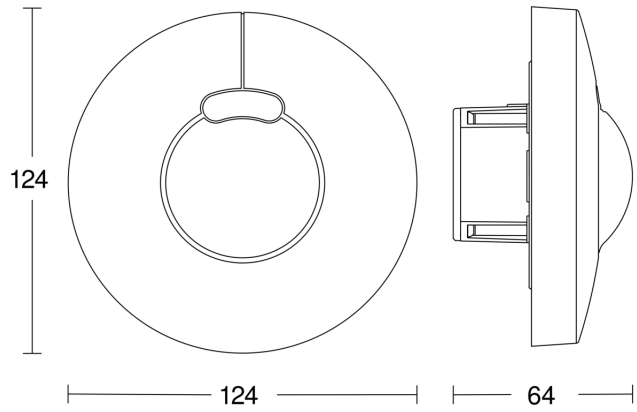
Article number 033712

## Detection Zone



Mögliche Montagehöhe: 2,00 m – 4,00 m  
Orange: radial und tangential

## Dimension Drawing



## Master circuit diagram

