

**MSensor G3 PIR 16DPI WH**

DALI-2 multi-sensor



**Product description**

- \_ Sensor developed to work with the latest DALI specification
- \_ Monitoring of ambient light and occupancy detection
- \_ Remote control interface allowing infrared remote control interaction
- \_ Individual adjustment of the parameters
- \_ Power supply via DALI line
- \_ Mounting ring and gasket included to reach IP65 protection
- \_ Wide range of accessories allowing extended application range
- \_ Double terminals for through wiring
- \_ 5 years guarantee

**Housing properties**

- \_ Casing: polycarbonate, white
- \_ Type of protection up to IP65

**Note**

- \_ Tridonic MSensor G3 family sensors are developed according to DALI Standard EN 62386-101 Ed.2, also known as DALI-2. To be able to use the sensor in such installation, an application controller is necessary.
- \_ List of approved application controller can be found on our WEB page in "Downloads" in document "Application\_controllers\_MSensor\_G3.pdf".

**Website**

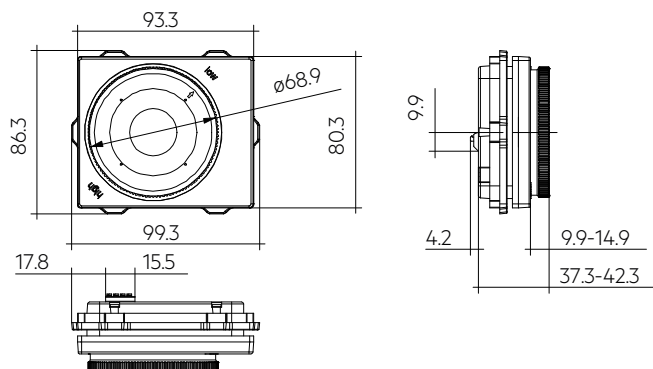
<http://www.tridonic.com/28002234>



**MSensor G3 PIR 16DPI WH**

DALI-2 multi-sensor

The complete data sheet for this product is available in the Downloads section.

**Ordering data**

Type	Article number	Suitable for	Packaging, carton	Weight per pc.
MSensor G3 SFI 30 PIR 16DPI WH	28002234	Luminaire installation	10 pc(s).	0.105 kg

**Technical data**

Supply via	DALI cable
Supply voltage <sup>①</sup>	9.5 – 22.5 V
Current consumption (no LED)	≤ 8 mA
Current consumption (with LED)	≤ 9 mA
Mounting height <sup>②</sup>	8 – 18 m
Adjustment range position "low"	8 – 12 m
Adjustment range position "high" <sup>②</sup>	12 – 18 m
Mounting opening	70 x 83 mm
Housing thickness of the luminaire	0.75 – 4 mm
Detection angle for PIR detection angle "low"	72°
Detection angle for PIR detection angle "high"	60°
Detection angle for light measurement	13°
Detection range for light measurement <sup>③</sup>	1 – 2,000 lx
Ambient temperature $t_a$	-20 ... +50 °C
$t_c$	60 °C
Storage temperature $t_s$	-25 ... +60 °C
Dimensions L x W x H	99.3 x 86.3 x 46.5 mm
Housing material body	PC polycarbonate
Housing material lens	PE polyethylene
Housing colour body	White (similar to RAL 9016)
Housing colour lens	White
Type of installation	Luminaire installation
Type of protection <sup>④</sup>	Up to IP65
Guarantee	5 Year(s)

**Approval marks****Standards**

EN 61347-2-11, EN 55015, EN 61000-3-2, EN 61000-3-3, EN 61547, EN 62386-101 (DALI-2), EN 62386-103, EN 62386-301, EN 62386-303, EN 62386-304

<sup>①</sup>  $U_{in}$  acc. IEC 62386-101.

<sup>②</sup> For mounting height higher than 16 m it is recommended to use several sensors grouped together in one occupancy group. As the sensitivity for the detection diameter can not be guaranteed for high over 16 m.

<sup>③</sup> The measured value at the sensor head corresponds to approx. 3 to 6,300 lux on the surface measured.

④ Depending on the installation type up to IP 65 for more details see data sheet chapter 3.1.