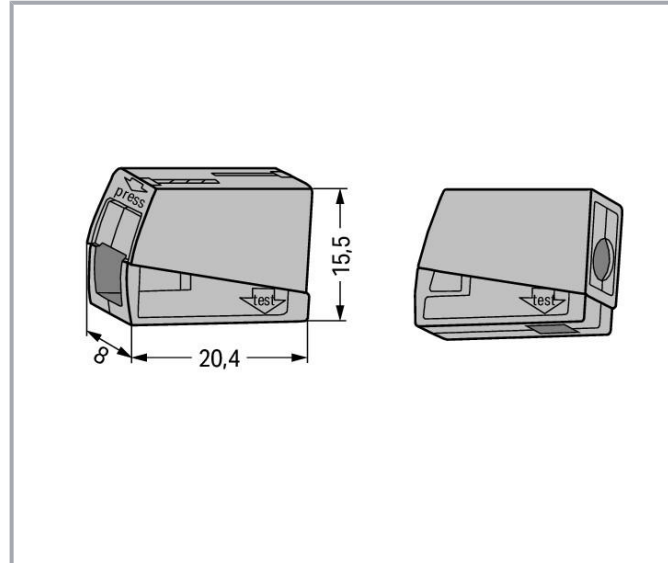


Data sheet | Item number: 224-101

Lighting connector; push-button on lighting side; Lighting side: for all conductor types; Inst. side: for solid conductors; 224 Series; max. 2.5 mm²; Surrounding air temperature: max 60°C; 2,50 mm²; gray

www.wago.com/224-101



Item description

Note:

Terminating Aluminum Conductors

WAGO spring clamp terminal blocks are suitable for solid aluminum conductors up to 4 mm²/12 AWG if WAGO "Alu-Plus" Contact Paste is used for termination.

"Alu-Plus" Contact Paste Advantages:

- Automatically destroys the oxide film during clamping.
- Prevents fresh oxidation at the clamping point.
- Prevents electrolytic corrosion between aluminum and copper conductors (in the same terminal block).
- Provides long-term protection against corrosion.

For spring clamp connections with PUSH WIRE® connection technology, **WAGO recommends that the aluminum conductor first be cleaned** and then immediately inserted into the clamping unit filled with "Alu-Plus" contact paste.

It is also possible to apply WAGO "Alu-Plus" **additionally** on the whole surface of the aluminum conductor before termination.

Please note that the nominal currents must be adapted to the reduced conductivity of the aluminum conductors::

2.5 mm² = 16 A

Subject to changes. Please also observe the further product documentation!

WAGO Kontakttechnik GmbH & Co. KG
Hansastr. 27
32423 Minden
Phone: +49571 887-0 | Fax: +49571 887-169
Email: info.de@wago.com | Web: www.wago.com

Do you have any questions about our products?
We are always happy to take your call at +49 (571) 887-44222.

4 mm² = 22 A**Safety information 1:**

in grounded power lines

Data**Electrical data****Ratings per IEC/EN**

Ratings per	EN 60664
Nominal voltage (II/2)	400 V
Rated surge voltage (II/2)	4 kV
Rated current	24 A
Legend (ratings)	(II / 2) ≙ Overvoltage category II / Pollution degree 2

Connection data

Connection type (1)	Installation side
Connection technology	PUSH WIRE®
Number of connection points	1
Actuation type	Push-in
Connectable conductor materials	Copper Aluminum
Solid conductor	1 ... 2.5 mm ² / 14 ... 12 AWG
Strip length	9 ... 11 mm / 0.35 ... 0.43 inch
Connection type 2	Lighting side
Connection technology 2	CAGE CLAMP®
Number of connection points 2	1
Solid conductor 2	0.5 ... 2.5 mm ² / 20 ... 16 AWG
Fine-stranded conductor 2	0.5 ... 2.5 mm ² / 20 ... 16 AWG
Total number of connection points	2
Total number of potentials	1
Wiring direction	Side-entry wiring

Physical data

Width	8 mm / 0.315 inch
Height	15.5 mm / 0.61 inch
Depth	20.4 mm / 0.803 inch

Subject to changes. Please also observe the further product documentation!

WAGO Kontakttechnik GmbH & Co. KG
 Hansastr. 27
 32423 Minden
 Phone: +49571 887-0 | Fax: +49571 887-169
 Email: info.de@wago.com | Web: www.wago.com

Do you have any questions about our products?
 We are always happy to take your call at +49 (571) 887-44222.

Material data

Color	gray
Fire load	0.04 MJ
Weight	1.8 g

Environmental requirements



Surrounding air temperature (operation)	60 °C
Continuous operating temperature	105 °C

Commercial data

Packaging type	box
Country of origin	CH
GTIN	4044918583817
Customs tariff number	85369010000

Approvals / Certificates

Country specific Approvals

Logo	Approval	Additional Approval Text	Certificate name
	CSA DEKRA Certification B.V.	C22.2	1053495
	VDE VDE Prüf- und Zertifizierungsinstitut	EN 60998	40022792

Ship Approvals

Logo	Approval	Additional Approval Text	Certificate name
	ABS American Bureau of Shipping	-	18- HG1755093- PDA
	BV Bureau Veritas S.A.	EN 60998	11914/DO BV
	DNV GL	EN 60998	TAE000015T

Subject to changes. Please also observe the further product documentation!



Det Norske Veritas, Germanischer Lloyd



LR
Lloyds Register

EN 60998

04/20013
(E8)

UL-Approvals

Logo	Approval	Additional Approval Text	Certificate name
	UL UL International Germany GmbH	EN 60998	CCA- 2617-A1
	UL UL International Germany GmbH	EN 60998	D-05895- A1 (EN60998- 1 EN60998- 2-2)
	UL UL International Germany GmbH	UL 486C	E69654

Optional accessories

General accessories

	Item no.: 249-130 Syringe; Contents: 20 ml Alu-Plus contact paste	www.wago.com/249-130
---	--	--

Downloads

Documentation

Bid Text

224-101 X81 - Datei	19.02.2019	xml 3.5 kB	Download
224-101 docx - Datei	21.02.2019	docx 15.9 kB	Download

Subject to changes. Please also observe the further product documentation!

WAGO Kontakttechnik GmbH & Co. KG
Hansastr. 27
32423 Minden
Phone: +49571 887-0 | Fax: +49571 887-169
Email: info.de@wago.com | Web: www.wago.com

Do you have any questions about our products?
We are always happy to take your call at +49 (571) 887-44222.



Additional Information

Technical explanations	03.04.2019	pdf 2.2 MB	Download
------------------------	------------	---------------	----------

CAD/CAE-Data

CAE data

EPLAN Data Portal 224-101	URL	Download
---------------------------	-----	----------

WSCAD Universe 224-101	URL	Download
------------------------	-----	----------

ZUKEN Portal 224-101	URL	Download
----------------------	-----	----------

CAD data

2D/3D Models 224-101	URL	Download
----------------------	-----	----------

Environmental Product Compliance

Compliance Search

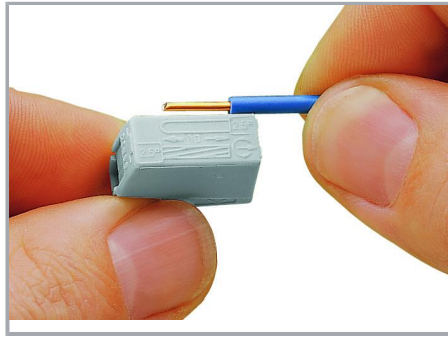
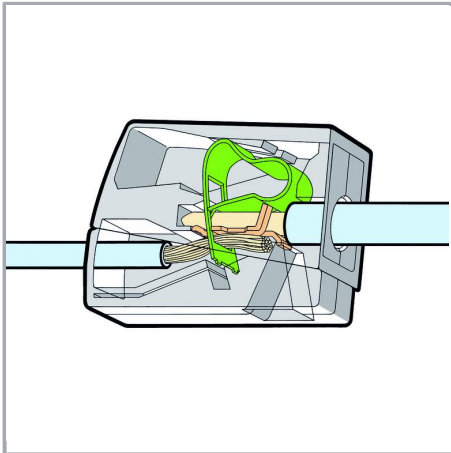
Environmental Product Compliance 224-101	URL	Download
--	-----	----------

Lighting connector; push-button on lighting side; Lighting side: for all conductor types; Inst. side: for solid conductors; 224 Series; max. 2.5 mm²; Surrounding air temperature: max 60°C; 2,50 mm²; gray

Installation Notes

Conductor termination

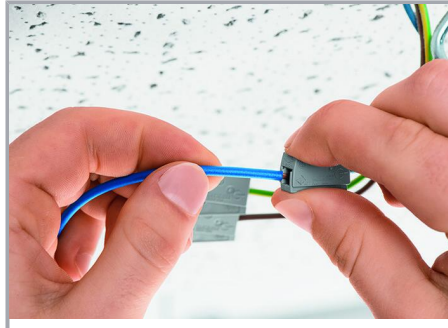
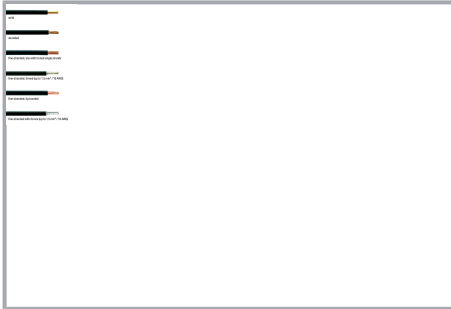
Subject to changes. Please also observe the further product documentation!



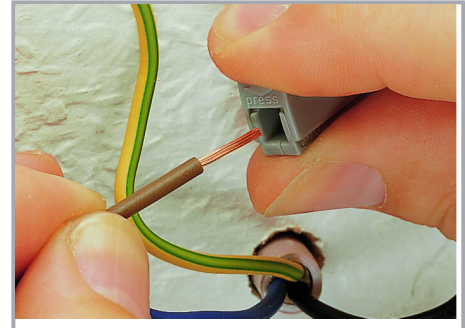
Strip conductor to 9 ... 11 mm (0.35 ... 0.43 inch).

Lighting Connectors (2.5 mm²), 224 Series

Conductor termination



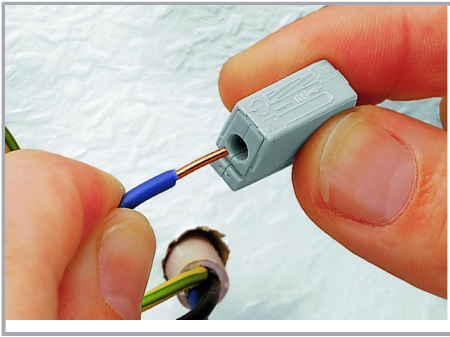
To connect: Press button fully, insert stripped conductor into square entry and release.



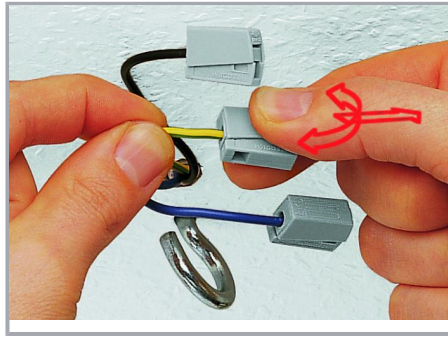
To remove: Press button and withdraw conductor.



Subject to changes. Please also observe the further product documentation!

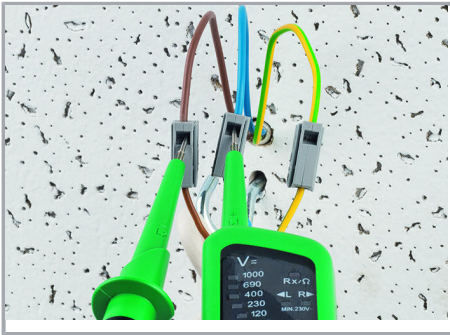


To connect: Insert stripped solid conductor into circular entry and push until it hits the backstop.



To remove: Hold conductor to be removed and twist alternately left and right while slightly pulling the connector.

Testing



Testing via separate test ports.



Connecting solid conductors with fine-stranded conductors via lighting connectors (224-101).

Subject to changes. Please also observe the further product documentation!