

Sensor-switched LED floodlight

# XLED home 2 SC

white

EAN 4007841 065454

Article number 065454



LED

long life LED  
25.000 h

3000 K

3000K  
warm-white



infrared sensor  
140°



max. 10 m



IP44



Panel 180° hor.,  
180° ver.



Sensor 90° ver.,  
180° hor.



2 - 2000 lux



5 sec - 60 min



connectable via  
bluetooth

## Function description

Top seller. Now even better. Sensor-switched outdoor floodlight XLED home 2 SC for even greater security and wireless control via Bluetooth and via app. Fully swivelling LED panel in classy opal look. For the most exacting of demands on design and maximum lighting convenience. 1472 lm from a power consumption of just 13,5 W. Swivelling precision IR sensor (horizontally: 180°, vertically: 90°). 180° angle of coverage, 10 m reach. High thermal conductivity magnesium composite cooling system (HCMC).

# XLED home 2 SC

white

EAN 4007841 065454

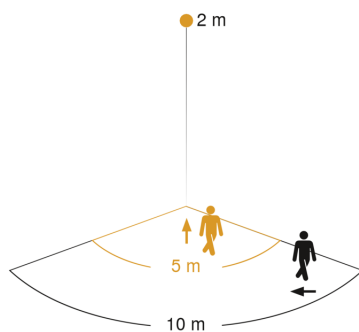
Article number 065454

## Technical specifications

Dimensions (L x W x H)	161 x 180 x 218 mm
Mains power supply	220 – 240 V / 50 – 60 Hz
Sensor Technology	passive infrared
Output	13,7 W
Power consumption	0,5 W
Interconnection	Yes
Type of interconnection	Master/master, Master/slave
Vernetzung via: Connect Bluetooth Mesh	Bluetooth
Lichtstrom Gesamtprodukt	1550 lm
Colour temperature	3000 K
Colour variation LED	SDCM3
Colour Rendering Index	80-89
With lamp	Yes, STEINEL LED system
Lamp	LED cannot be replaced
Base	without
LED cooling system	HCMC (High Conductive Magnesium Composite)
With motion detector	Yes
Detection angle	180 °
Angle of aperture	90 °
Capability of masking out individual segments	Yes

Reach, radial	r = 5 m (39 m <sup>2</sup> )
Reach, tangential	r = 10 m (157 m <sup>2</sup> )
Continuous light	selectable
Photo-cell controller	Yes
Twilight setting	2 – 2000 lx
Time setting	5 s – 60 Min.
Basic light level function	No
Functions	Group parameterisation, Manual ON / ON-OFF, Neighbouring group function, Master/slave override, Night economy mode, Timer
Soft light start	No
Impact resistance	IK03
IP-rating	IP44
Protection class	II
Ambient temperature	-20 – 40 °C
Housing material	HCMC
Cover material	Plastic, opal
Manufacturer's Warranty	5 years
Settings via	Bluetooth
Installation site	wall, corner
Version	white
PU1, EAN	4007841065454

## Detection Zone

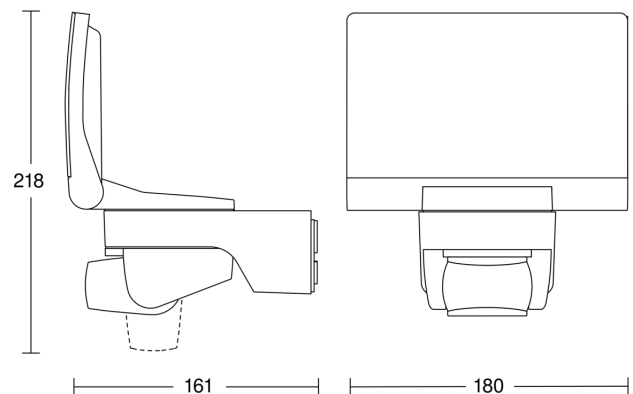


Mögliche Montagehöhe: 1,80 m – 4,00 m

Orange: radial

Schwarz: tangential

## Dimension Drawing



Sensor-switched LED floodlight

# XLED home 2 SC

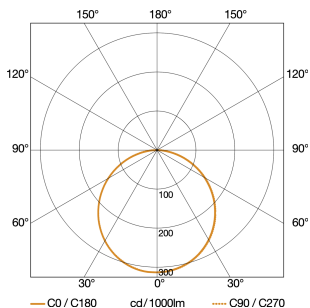
white

EAN 4007841 065454

Article number 065454



## Light Distribution Curve



Output	13,7 W
With lamp	Yes, STEINEL LED system
Lamp	LED cannot be replaced
Luminous flux	1550 lm
Colour temperature	3000 K
Colour Rendering Index	80-89
LED cooling system	HCMC (High Conductive Magnesium Composite)

## Master/master interconnection circuit diagram

