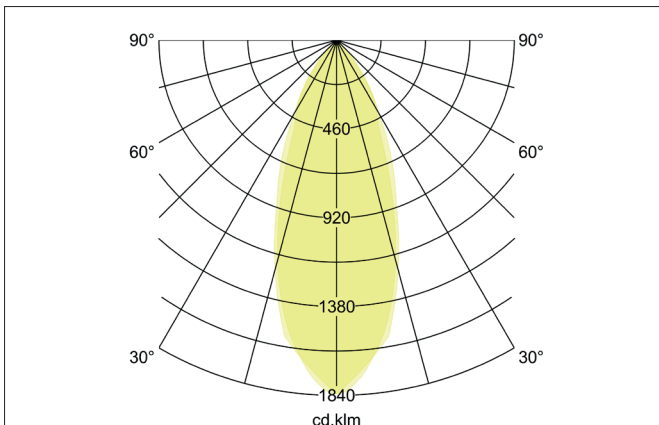
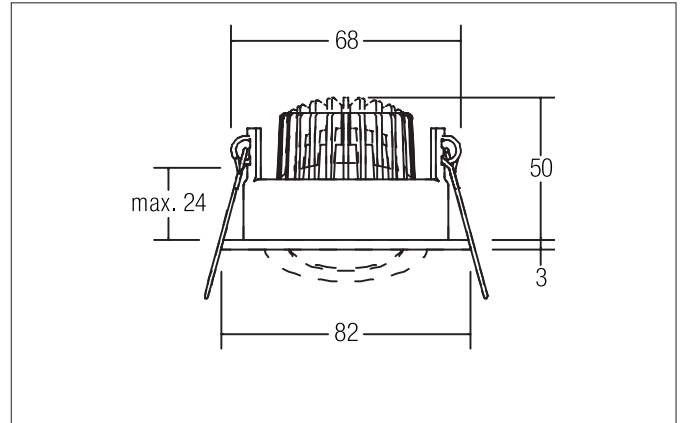
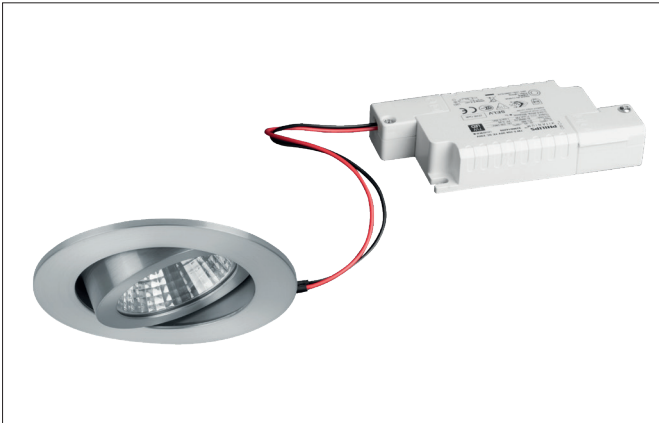


**LED recessed spot set, IP65, dimmable**

Artikel-Nr. 39353253

Licht.  
Für Generationen.**Tender**

LED recessed spot set, IP65, dimmable, alu, round. In a compact design, for installation in tool-less rapid assembly systems. Set including a converter for 230-V mains voltage, trailing-edge phase dimmable, dimensions of converter: L 110 x W 50 x H 19 mm . Mounting method: Recessed mounting, Place of installation: Ceiling-mounted, Material: Aluminium / Steel / Silicone rubber / Plastic, Degree of protection: according to DIN EN 60529 IP65, Protection class: (EN 61140) II, Voltage: 230V AC 50Hz, Power: 6W, Amount of light sources / fittings: 1.0 Qty, Luminous flux: 650lm, Colour temperature: 3.000 K, Light colour : White, Beam angle: 38°, Adjustability: Pivoted, With control gear: Yes, Control: Trailing-edge phase.

| Article data       |   |
|--------------------|---|
| Artikel-Nr.        | 39353253                                      |
| GTIN               | 4251433928218                                 |
| Kurzbeschreibung   | LED recessed spot set, IP65, dimmable         |
| Material           | Aluminium / Steel / Silicone rubber / Plastic |
| Colour             | Alu   |
| Shape              | round   |
| Outer diameter     | 82 mm   |
| Built-in diameter  | 68 mm   |
| Installation depth | 50 mm   |
| weight             | 0.212 kg                                      |

**LED recessed spot set, IP65, dimmable**

Artikel-Nr. 39353253

Licht.  
Für Generationen.

| Lighting technology |            |
|---------------------|------------|
| Colour temperature  | 3000 K     |
| Light colour        | White      |
| Light output        | Direct     |
| Luminous flux       | 650 lm     |
| System efficiency   | 108 lm/W   |
| Colour rendering    | CRI > 80   |
| Reflector           | High-gloss |
| Beam angle          | 38 °       |
| Light sharing       | Symmetric  |

| Operating technology of the luminaires |                     |
|--|---------------------|
| System output                          | 6 W                 |
| Voltage type                           | AC                  |
| AC nominal voltage max                 | 230 V               |
| Frequenz max.                          | 50 Hz               |
| Lamp                                   | LED                 |
| Protection class                       | II                  |
| Degree of protection                   | IP65                |
| Control                                | Trailing-edge phase |
| Leuchtmittelwechsel möglich            | ja                  |

| Operating technology of driver |                     |
|--------------------------------|---------------------|
| AC nominal voltage max         | 230 V               |
| Frequenz max.                  | 50 Hz               |
| Protection class               | II                  |
| Degree of protection           | IP65                |
| Control                        | Trailing-edge phase |

| Mounting technology   |   |
|-----------------------|---|
| Mounting method       | Recessed mounting                         |
| Place of installation | Ceiling-mounted                           |
| Adjustability         | Pivoted                                   |
| Swivel angle          | 30°                                       |
| Further references    | No cover with thermal insulation material |
| Material cover        | Plastic, transparent                      |

| Packing data        |          |
|---------------------|----------|
| Gross weight        | 0.255 kg |
| Length of packaging | 95 mm    |
| Packaging width     | 75 mm    |
| Packaging height    | 95 mm    |