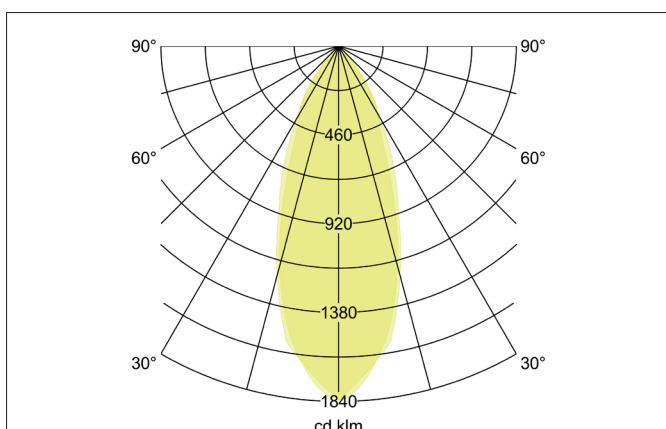
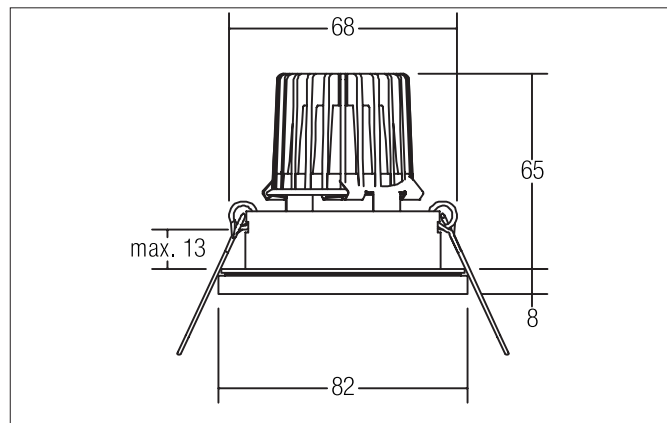
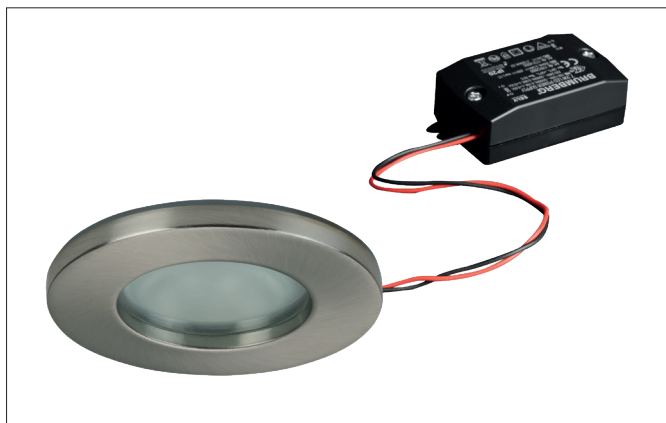


LED recessed downlightset, IP65, on/off

Artikel-Nr. 38149253

Licht.
Für Generationen.**Tender**

LED recessed downlightset, IP65, on/off, alu, round. In a compact design, for installation in tool-less rapid assembly systems. Set including a converter for 230-V mains voltage, on/off switchable, dimensions of converter: L 68 x W 35 x H 21 mm . Mounting method: Recessed mounting, Place of installation: Ceiling-mounted, Material: Cast iron / Aluminium / Glass / Plastic, Degree of protection: according to DIN EN 60529 IP65*, Protection class: (EN 61140) II, Voltage: 230V AC 50Hz, Power: 6W, Amount of light sources / fittings: 1.0 Qty, Luminous flux: 540lm, Colour temperature: 3.000 K, Light colour : White, Beam angle: 38°, Adjustability: Not adjustable, With control gear: Yes, Control: on/off.

Article data	
Artikel-Nr.	38149253
GTIN	4251433910602
Kurzbeschreibung	LED recessed downlightset, IP65, on/off
Material	Cast iron / Aluminium / Glass
Colour	Alu
Type of surface	Matt
Shape	round
Outer diameter	80 mm
Built-in diameter	68 mm
Installation depth	65 mm
Aufbauhöhe	5 mm
weight	0.165 kg

LED recessed downlightset, IP65, on/off

Artikel-Nr. 38149253

Licht.
Für Generationen.

Lighting technology	
Colour temperature	3000 K
Light colour	White
Light output	Direct
Luminous flux	540 lm
System efficiency	90 lm/W
Colour rendering	CRI > 80
Reflector	High-gloss
Beam angle	38 °
Light sharing	Symmetric

Operating technology of the luminaires	
System output	6 W
Voltage type	AC
AC nominal voltage max	230 V
Frequenz max.	50 Hz
Lamp	LED
Protection class	II
Degree of protection	IP65
Schutzart deckenseitig	IP20
Control	on/off
Leuchtmittelwechsel möglich	ja

Operating technology of driver	
Control	on/off

Mounting technology	
Mounting method	Recessed mounting
Place of installation	Ceiling-mounted
Adjustability	Not adjustable
Further references	No cover with thermal insulation material
Material cover	Glass structured
Circlip	Without circlip

Packing data	
Gross weight	0.212 kg
Length of packaging	140 mm
Packaging width	110 mm
Packaging height	120 mm