

HF 3360

DALI-2 IPD - concealed, rd.

EAN 4007841 057343

Article number 057343



high frequency
sensor 360°



max. Ø 8 m



IP20



2 - 1000 lux



ideal 2 - 2,8 m



energy saving

5 years



manufacturer's
warranty
[steinel-professional.de/garantie](https://www.steinel-professional.de/garantie) CE

Function description

Perfection through and through. High-frequency motion detector HF 3360, ideal for basement corridors, stairwells, multi-storey car parks, installation height 2.8 m, 360° angle of coverage, reach 1 – 8 m (radial), detection regardless of temperature, HF-sensor technology also detects movement through glass, wood and stud walls. Available either in round or square surface-mounted and concealed version. DALI-2 Input Device enables sensors to communicate collected sensor data to higher-level lighting management systems (e.g. LiveLink).

HF 3360

DALI-2 IPD - concealed, rd.
 EAN 4007841 057343
 Article number 057343



Technical specifications

Type	Motion detectors
Dimensions (Ø x H)	124 x 95 mm
Mains power supply	12 – 22,5 V
Power consumption	0,5 W
Power supply, detail	DALI bus
Number of Dali users	5
Sensor Technology	High frequency
Application, place	Indoors
Installation site	wall, ceiling, corner
Installation	Concealed wiring
Mounting height	2,00 – 4,00 m
Reach, radial	Ø 8 m (50 m ²)
Reach, tangential	Ø 8 m (50 m ²)
HF-system	5,8 GHz
Detection angle	360 °
Angle of aperture	180 °
Optimum mounting height	2,8 m
Mechanical scalability	No
Sneak-by guard	Yes
Capability of masking out individual segments	No
Electronic scalability	Yes

Detection	also through glass, wood and stud walls
Twilight setting TEACH	No
Twilight setting	2 – 1000 lx
Control output, Dali	Addressable/slave
Constant-lighting control	No
Basic light level function	No
Settings via	Bus
With remote control	No
Interconnection	Yes
Type of interconnection	Master/slave
IP-rating	IP20
Material	Plastic
Ambient temperature	-20 – 50 °C
Application, room	function room / ancillary room, stairwell, WC / washroom, multi-storey / underground car park, Indoors
Colour	white
Colour, RAL	9003
IDs, certificates	DALI-2
Manufacturer's Warranty	5 years
Version	DALI-2 IPD - concealed, rd.
PU1, EAN	4007841057343
Technology, sensors	High frequency, Light sensor

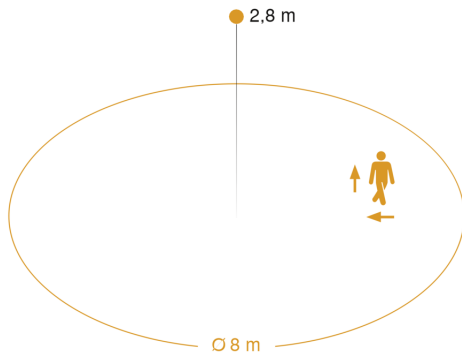
Accessories

EAN 4007841 009151	Remote control Smart Remote
EAN 4007841 056704	Black cover for HF 3360

HF 3360

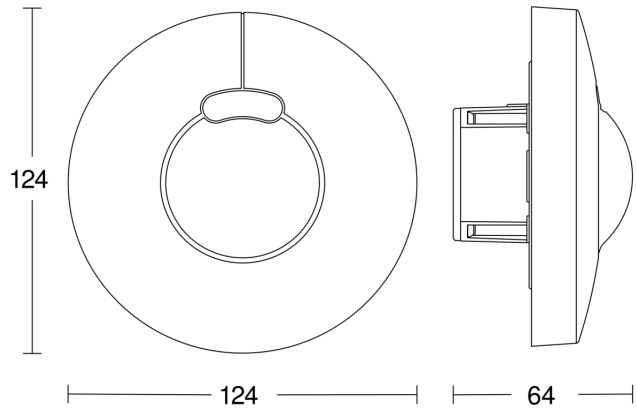
DALI-2 IPD - concealed, rd.
EAN 4007841 057343
Article number 057343

Detection Zone



Mögliche Montagehöhe: 2,00 m – 4,00 m
Orange: radial und tangential

Dimension Drawing



Circuit diagram

