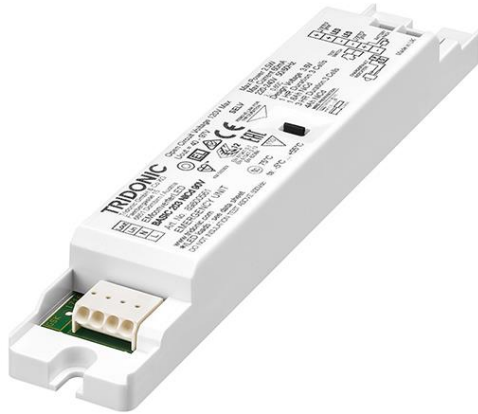


**EM converterLED BASIC NiCd/NiMH 250 V**

BASIC version

**Product description**

- \_ Emergency lighting LED Driver for manual testing
- \_ For self-contained emergency lighting
- \_ For LED modules with a forward voltage of 50 – 250 V
- \_ Low profile cross-section (21 x 30 mm)
- \_ For luminaire installation
- \_ Nominal lifetime up to 100,000 h
- \_ 5 years guarantee

**Properties**

- \_ Non maintained operation
- \_ 1 or 3 h rated duration
- \_ Operating time selectable with plug (duration link)
- \_ Compatible with all dimmable and non-dimmable constant current LED Driver (see data sheet, LED Driver compatibility)
- \_ 3-pole technology: 2-pole LED module changeover and delayed power switching for the LED Driver
- \_ Automatic shutdown of output if LED load is out of range
- \_ Constant power output
- \_ Maximum light output for all LED modules
- \_ Electronic charge system
- \_ Deep discharge protection
- \_ Short-circuit-proof battery connection
- \_ Polarity reversal protection for battery

**Batteries**

- \_ High-temperature cells
- \_ NiCd or NiMH batteries
- \_ D, Cs or LA cells
- \_ 4 year design life
- \_ 1 year guarantee
- \_ For battery compatibility refer to data sheet

**Website**

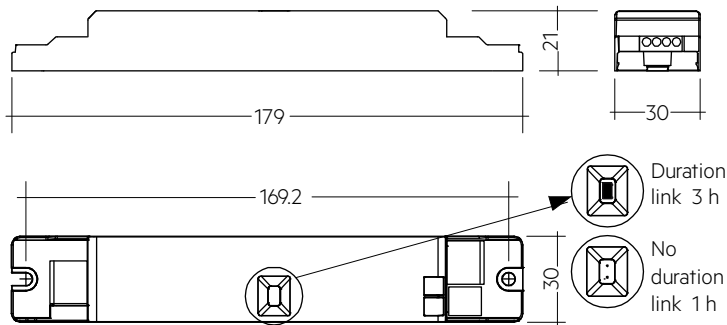
<http://www.tridonic.com/89800563>



**EM converterLED BASIC NiCd/NiMH 250 V**

BASIC version

The complete data sheet for this product is available in the Downloads section.



Note: Supply of control gear with duration link in 3 hours position. Remove duration link for duration of 1 h. Duration link must be set before battery and mains connection.

**Ordering data**

Type <sup>®</sup>	Article number	Rated duration	Number of cells	Packaging, carton	Packaging, pallet	Weight per pc.	Dimensions L x W x H
EM converterLED BASIC 204 NiCd/NiMH 250V	89800563	1/3 h	4	10 pc(s).	1,600 pc(s).	0.065 kg	179 x 30 x 21 mm

**Technical data**

Rated supply voltage	220 – 240 V
AC voltage range	198 – 264 V
Mains frequency	50 / 60 Hz
Forward voltage range LED module	50 – 250 V
Output current	See data sheet
Starting time	< 0.25 s from detection of emergency event
Overvoltage protection	320 V (for 48 h)
U-OUT (including open- / short-circuit and double load)	280 V
Max. open circuit voltage	280 V
Battery charging time <sup>①②</sup>	24 h
Ambient temperature ta	-5 ... +55 °C
Max. casing temperature tc	75 °C
Mains voltage changeover threshold	According to EN 60598-2-22
Mains surge capability (between L - N)	1 kV
Mains surge capability (between L/N - PE)	2 kV
Type of protection	IP20
Lifetime	up to 100,000 h
Guarantee	5 Year(s)
Dimensions L x W x H	179 x 30 x 21 mm

**Approval marks**



**Standards**

according to EN 50172, according to EN 60598-2-22, EN 61347-1, EN 61347-2-13, EN 61347-2-7, EN 55015, EN 61000-3-2, EN 61547, EN 60068-2-64, EN 60068-2-29, EN 60068-2-30, EN 62384

Specific technical data

Type	Battery technology	Rated duration	Typ. $\lambda$ (at 230 V, 50 Hz)	Typ. output power P <sub>emergency</sub>	Mains current in charging operation			Mains power in charging operation		
					Initial charge	Fast recharge	Trickle charge	Initial charge	Fast recharge	Trickle charge
<b>EM converterLED BASIC 204 NiCd/NiMH 250V</b>	NiCd	1 / -1 h	0.60C	3.5 W	18 mA	18 mA	16 mA	2.4 W	2.4 W	2.1 W
<b>EM converterLED BASIC 204 NiCd/NiMH 250V</b>	NiCd	3 / -1 h	0.65C	3.5 W	22 mA	22 mA	18 mA	3.5 W	3.5 W	2.4 W

① 16 h battery charging time for 2 h emergency lighting function according to AS 2293.

② 12 h battery charging time for 2 h emergency lighting function when used with NiCd and NiMH batteries.

③ EM = Emergency