

PRODUCT DATASHEET

SPOT FP FIX 7 W 3000 K IP65/IP20 WT

SPOT FIREPROOF | Recessed mounted spotlight, round shape, fire-resistant



GERMAN
DESIGN
AWARD
NOMINEE
2019



Areas of application

- Replacement of halogen lamp spotlights
- Hotel rooms
- Bars, restaurants
- Bathrooms
- Accent lighting
- Galleries, museums
- General illumination
- Outdoor

Product benefits

- High luminous efficacy
- Design matches the LEDVANCE DOWNLIGHT luminaire family
- Energy savings of up to 90 % compared to halogen lamp spotlights
- Functional and minimalistic design
- Easy installation with fast connection
- External driver for extended flexibility (compatible with selected dim. drivers)
- Designed for extra IP protection
- 5 years guarantee

Product features

- Fire-resistant (up to 90 minutes, tested in accordance with EN 1365-2:2014 'fire resistance tests for loadbearing elements - Part 2: Floors and roofs')



- Outdoor use and fire-resistant (up to 90 minutes, BS476-20:1987 and BS476-21:1987)
- Compatible with standard ceiling cutouts of 68 mm
- Initial color consistency: ≤ 4 SDCM
- Type of protection, front side: IP65



TECHNICAL DATA

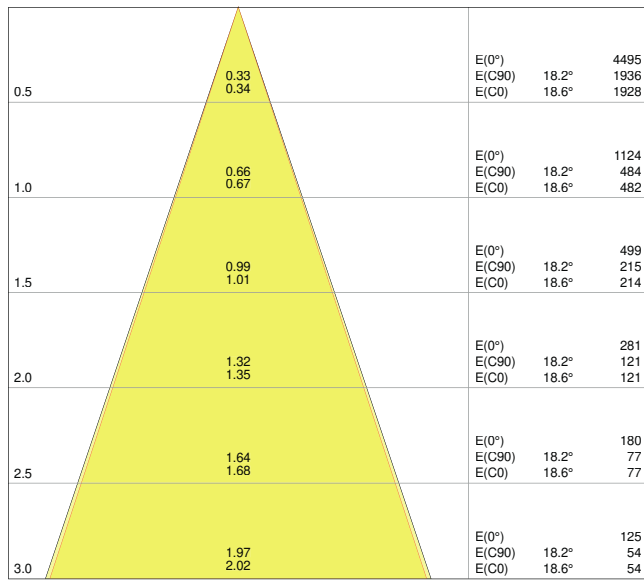
Electrical data

Nominal wattage	7.00 W
Nominal voltage	220...240 V
Mains frequency	50...60 Hz
Nominal current	30 mA
Max. no. of lum. on circuit break. B16 A	32
Max. no. of lum. on circuit break. C10 A	25
Max. no. of lum. on circuit break. C16 A	40
Power factor λ	> 0.90
Total harmonic distortion	< 15 %
Protection class	II
Operating mode	Electronic control gear (ECG)

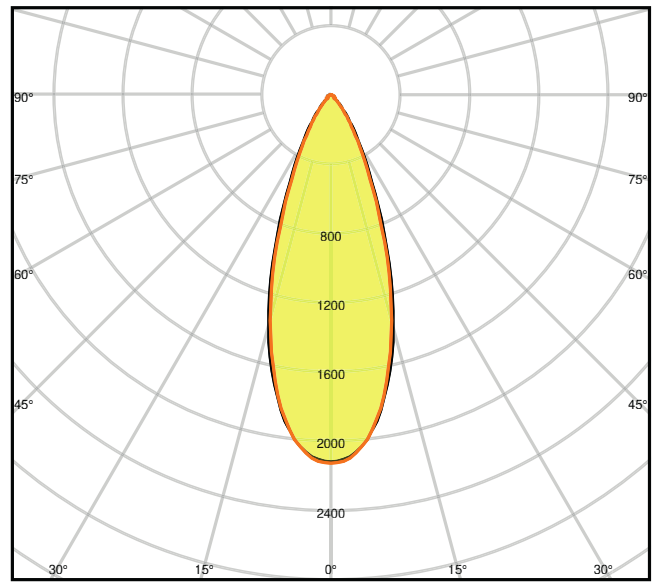
Photometrical data

Luminous flux	530 lm
Luminous efficacy	75 lm/W
Color temperature	3000 K
Light color (designation)	Warm White
Color rendering index Ra	> 80
Standard deviation of color matching	≤ 4 sdcn
Flickering metric (Pst LM)	-
Stroboscope effect metric (SVM)	-
Photobiological safety group acc. to EN62778	RG0
Photobiological safety group acc. to EN62471	RG0
Beam angle	38 °





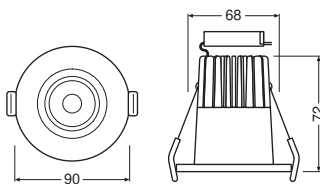
LDC typ cone



LDC typ polar

Dimensions & Weight

Diameter	90.00 mm
Height	72.00 mm
Product weight	289.00 g



Materials & Colors

Product color	White
Housing color	White
Body material	Aluminum



Light emitting surface material	PMMA
Glow Wire Test according to IEC 60695-2-12	650 °C
Mercury content	0.0 mg

Application & Mounting

Ambient temperature range	-20...+45 °C
Type of connection	Screw terminal, 2-Pole (L,N)
Type of protection	IP65/IP20
Protection class IK (shock resistance)	IK06
Dimmable	No
Mounting type	Recessed
Mounting location	Ceiling
Application environment	Indoor
Mounting diameter	68 mm
Mounting depth	90 mm
LED module replaceable	Not replaceable
With light source	Yes

Lifespan

Lifespan L70/B50 at 25 °C	50000 h
Lifespan L80/B10 at 25 °C	40000 h
Lifespan L90/B10 at 25 °C	20000 h
Number of switching cycles	100000

Certificates & Standards

Standards	CE / CB / TÜV SÜD / EAC / RoHS
Luminaire with limited surface temperature, "D sign"	No
Ball shot safe	No

Safety advice

- Coordination with your responsible fire safety inspector is required in advance

DOWNLOAD DATA

[DOWNLOAD DATA](#)

DOWNLOAD DATA



User instruction



Addon Technical Information



Tender documents



Declarations of conformity



On-Pack-Info



IES file (IES)



LDT file (Eulumdat)



M3D file (3D Model)



ULD file (DIALux)



UGR file (UGR table)

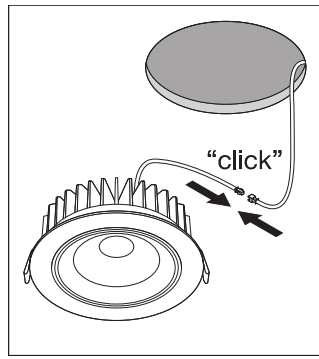
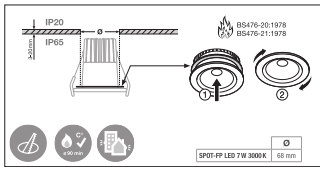
LOGISTICAL DATA

Product code	Packaging unit (Pieces/Unit)	Dimensions (length x width x height)	Gross weight	Volume
4058075127340	Shipping box 20	525 mm x 400 mm x 250 mm	8720.00 g	52.50 dm ³

The mentioned product code describes the smallest quantity unit which can be ordered. One shipping unit can contain one or more single products. When placing an order, for the quantity please enter single or multiples of a shipping unit.

ADDITIONAL CATALOG INFORMATION





References / Links

– For Guarantee see www.ledvance.com/guarantee

DISCLAIMER

Subject to change without notice. Errors and omission excepted. Always make sure to use the most recent release.

