

Sensor-switched LED outdoor light - Professional Line

L 690 LED

V2 PMMA anthracite

EAN 4007841 053000

Article number 053000



LED

30 years (Ø 4,5h / day)

3000 K

3000K warm-white



infrared sensor 360°



IP44



2 - 1000 lux



5 sec - 15 min



soft light start



shock proof IK07



manual override 4h



networkable via cable

Function description

Popular style. Full range of functions. The square sensor-switched L 690 LED outdoor light perfectly illuminates front doors (700 lm from a mere 8,5 W). Including sheet of self-adhesive house numbers for illuminating the house number. 360° infrared mini sensor with 4 programmes. Max. reach 7 m. Range of functions too: basic light level function, soft light start, adjustable time and twilight threshold. Aluminium base with impact proof diffuser (IK07). Interconnectable via cable.

L 690 LED

V2 PMMA anthracite
 EAN 4007841 053000
 Article number 053000



Technical specifications

Dimensions (L x W x H)	104 x 291 x 303 mm
Mains power supply	220 – 240 V / 50 – 60 Hz
Sensor Technology	passive infrared
Output	8,5 W
Interconnection	Yes
Vernetzung via: Connect Bluetooth Mesh	Cable
Slave modeselectable	No
Lichtstrom Gesamtprodukt	700 lm
Stroboskop-Effekt (SVM)	1,3 SVM
Efficiency	82 lm/W
Gesamtprodukt Effizienz	82 lm/W
Colour temperature	3000 K
Colour variation LED	SDCM3
Colour Rendering Index	= 82
With lamp	Yes, STEINEL LED system
Lamp	LED cannot be replaced
LED life expectancy (max. °C)	50000 h
LED life expectancy (25 °C)	> 60000 h
Base	without
LED cooling system	Passive Thermo Control
With motion detector	Yes
Detection angle	360 °
Capability of masking out individual segments	Yes
Electronic scalability	No

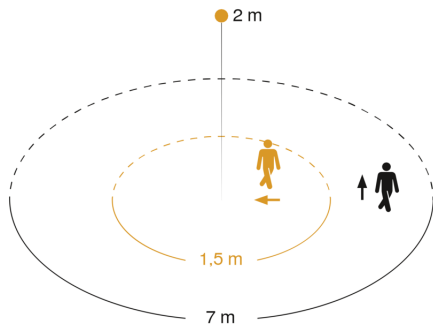
Mechanical scalability	No
Reach, radial	r = 1.5 m (7 m ²)
Reach, tangential	r = 7 m (154 m ²)
Continuous light	selectable, 4h
Photo-cell controller	Yes
Twilight setting	2 – 1000 lx
Time setting	5 s – 15 Min.
Basic light level function	Yes
Basic light level function time	10/30 min, all night
Functions	4 programme settings geared to practical needs, can be selected on removable sensor module
Soft light start	Yes
Impact resistance	IK07
IP-rating	IP44
Protection class	II
Ambient temperature	-20 – 50 °C
Housing material	Aluminium
Cover material	Plastic, opal
Manufacturer's Warranty	5 years
Einstellungen via: Connect Bluetooth Mesh	Potentiometers
With remote control	No
Installation site	wall
Cover material	shrouds
Version	PMMA anthracite
PU1, EAN	4007841053000

L 690 LED

V2 PMMA anthracite
 EAN 4007841 053000
 Article number 053000

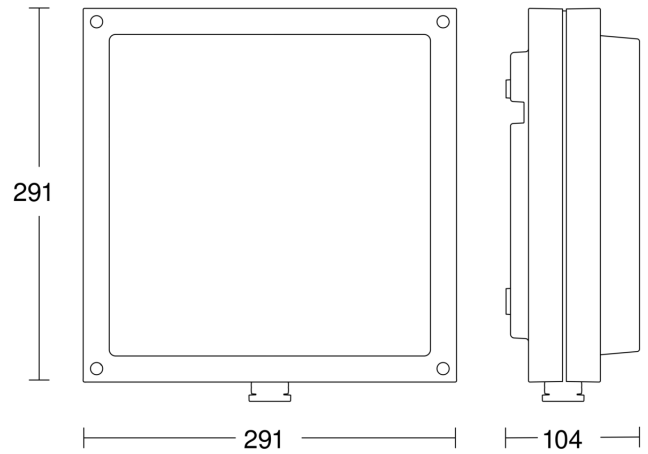


Detection Zone

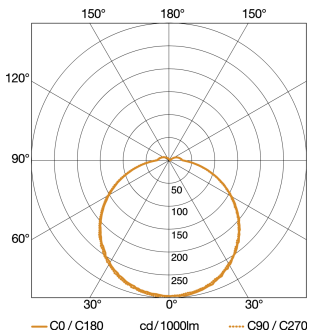


Mögliche Montagehöhe: 1,80 m – 2,50 m
 Orange: radial
 Schwarz: tangential

Dimension Drawing

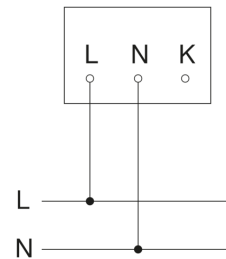


Light Distribution Curve



Output	8,5 W
With lamp	Yes, STEINEL LED system
Lamp	LED cannot be replaced
Luminous flux	700 lm
Colour temperature	3000 K
Colour Rendering Index	= 82
LED life expectancy (max. °C)	50000 h
LED cooling system	Passive Thermo Control

Circuit diagram



Sensor-switched LED outdoor light - Professional Line

L 690 LED

V2 PMMA anthracite

EAN 4007841 053000

Article number 053000



Master/master interconnection circuit diagram

