

Sensor-switched LED floodlight

XLED home 2 S

V2 black

EAN 4007841 033071

Article number 033071



LED

30 years (Ø 4,5h / day)

3000 K

3000K warm-white



infrared sensor 180°



max. 10 m



IP44



Panel 180° hor., 180° ver.



Sensor 90° ver., 180° hor.



2 - 2000 lux



8 sec - 35 min



networkable via cable

Function description

Top seller. Now even better. XLED home 2 sensor-switched outdoor floodlight for even more safety and security. Fully swivelling LED panel in classy stainless-steel look. For the most exacting of demands on design and maximum lighting convenience. 1550 lm at a power consumption of only 13,7 W. Swivelling precision IR sensor (horizontally: 180°, vertically: 90°). 180° angle of coverage, 10 m reach, 3000 K. High thermal conductivity magnesium composite cooling system (HCMC).

XLED home 2 S

V2 black

EAN 4007841 033071

Article number 033071

Technical specifications

Dimensions (L x W x H)	161 x 180 x 218 mm
Mains power supply	220 – 240 V / 50 – 60 Hz
Sensor Technology	passive infrared
Output	13,7 W
Power consumption	0,5 W
Interconnection	Yes
Type of interconnection	Sensor/slave
Interconnection, number	maximum of 10 floodlights
Vernetzung via: Connect Bluetooth Mesh	Cable
Lichtstrom Gesamtprodukt	1550 lm
Gesamtprodukt Effizienz	113 lm/W
Colour temperature	3000 K
Colour variation LED	SDCM3
Colour Rendering Index	80-89
With lamp	Yes, STEINEL LED system
Lamp	LED cannot be replaced
LED life expectancy (max. °C)	50000 h
LED life expectancy (25 °C)	> 60000 h
Drop in luminous flux in accordance with LM80	L70B10
Base	without
LED cooling system	HCMC (High Conductive Magnesium Composite)
With motion detector	Yes
Detection angle	180 °
Angle of aperture	35 °

Capability of masking out individual segments	Yes
Electronic scalability	No
Mechanical scalability	No
Reach, radial	r = 5 m (39 m ²)
Reach, tangential	r = 10 m (157 m ²)
Photo-cell controller	Yes
Twilight setting	2 – 2000 lx
Time setting	8 s – 35 Min.
Basic light level function	No
Main light adjustable	No
Soft light start	No
Impact resistance	IK00
IP-rating	IP44
Protection class	II
Ambient temperature	-20 – 40 °C
Housing material	HCMC
Cover material	Plastic, opal
Manufacturer's Warranty	5 years
Einstellungen via: Connect Bluetooth Mesh	Potentiometers
Installation site	wall, corner
Cover material	sticker
Version	black
PU1, EAN	4007841033071

Sensor-switched LED floodlight

XLED home 2 S

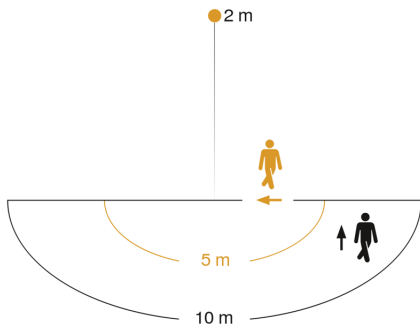
V2 black

EAN 4007841 033071

Article number 033071



Detection Zone

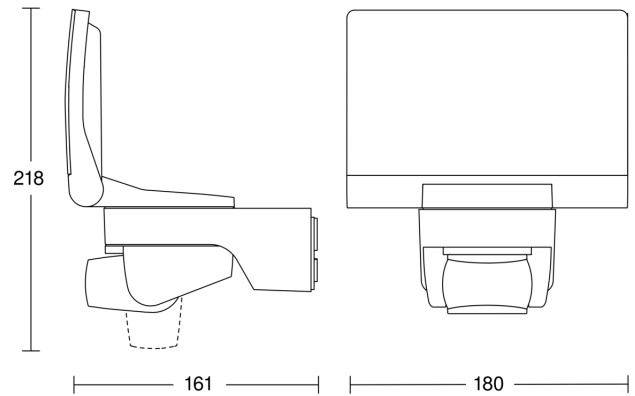


Mögliche Montagehöhe: 1,80 m – 4,00 m

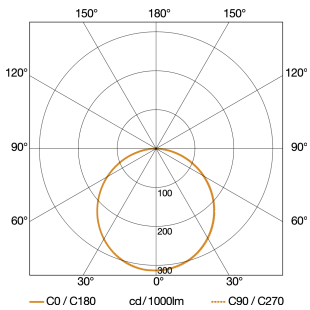
Orange: radial

Schwarz: tangential

Dimension Drawing

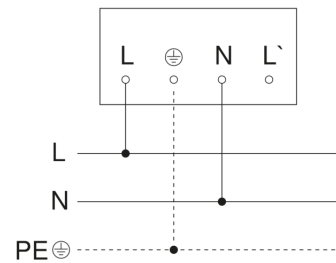


Light Distribution Curve



Output	13,7 W
With lamp	Yes, STEINEL LED system
Lamp	LED cannot be replaced
Luminous flux	1550 lm
Colour temperature	3000 K
Colour Rendering Index	80-89
LED life expectancy (max. °C)	50000 h
LED cooling system	HCMC (High Conductive Magnesium Composite)

Master circuit diagram



Sensor-switched LED floodlight

XLED home 2 S

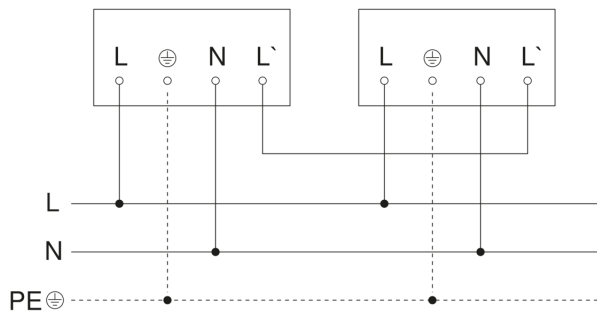
V2 black

EAN 4007841 033071

Article number 033071



Master/master interconnection circuit diagram



Master/slave interconnection circuit diagram

