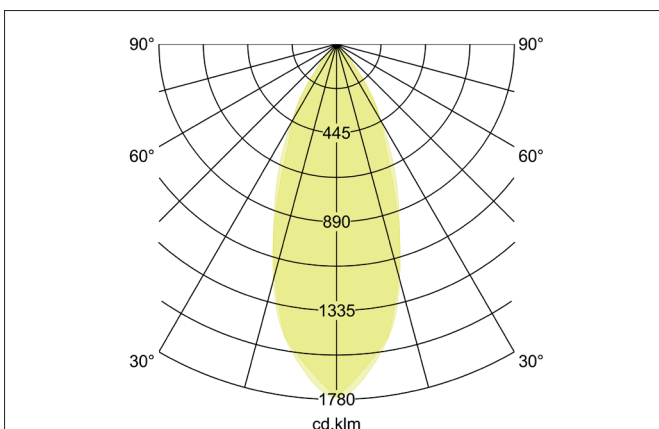
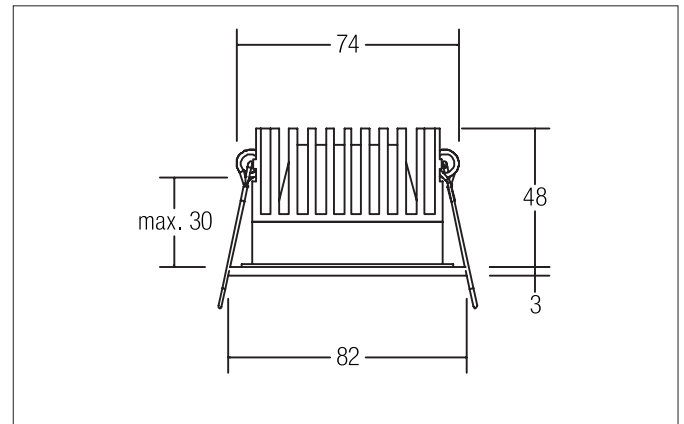
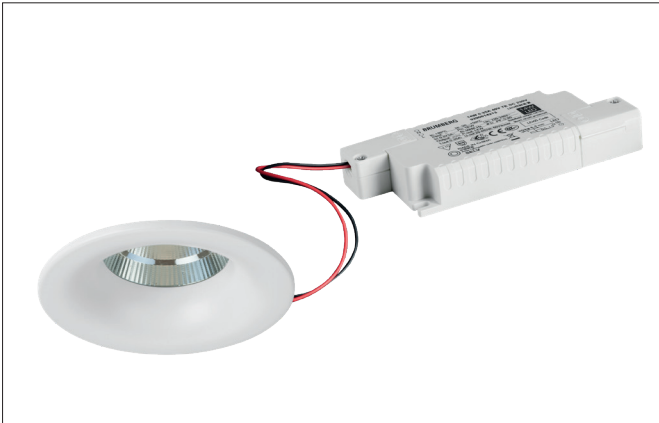


LED recessed downlight set, dim2warm, phase dimmable

Artikel-Nr. 39116073

Licht.
Für Generationen.**Tender**

LED recessed downlight set, dim2warm, phase dimmable, white, round. In a compact design, for installation in tool-less rapid assembly systems. If the lamp is dimmed, the color temperature is reduced. Set including a converter for 230-V mains voltage, trailing-edge phase, dimensions of converter: L 125 x W 51 x H 20 mm. Mounting method: Recessed mounting, Place of installation: Ceiling-mounted, Material: Aluminium / Plastic, Degree of protection: according to DIN EN 60529 IP20, Protection class: (EN 61140) II, Voltage: 230V AC 50Hz, Power: 12W, Amount of light sources / fittings: 1.0 Qty, Luminous flux: 930lm, Colour temperature: from 1.800 K up to 3.000 K, Light colour : White, Beam angle: 24°, Adjustability: Not adjustable, With control gear: Yes, Control: Trailing-edge phase.

Article data	
Artikel-Nr.	39116073
GTIN	4251433919568
Kurzbeschreibung	LED recessed downlight set, dim2warm, phase dimmable
Material	Aluminium / Plastic
Colour	White
Type of surface	Glossy
Shape	round
Outer diameter	82 mm
Built-in diameter	74 mm
Installation depth	48 mm
weight	0.297 kg

LED recessed downlight set, dim2warm, phase dimmable

Artikel-Nr. 39116073

Licht.
Für Generationen.

Lighting technology	
Colour temperature	3000 K - 1800 K
Light colour	White
Light output	Direct
Luminous flux	930 lm
System efficiency	78 lm/W
Colour rendering	CRI > 90
Reflector	High-gloss
Beam angle	24 °
Light sharing	Symmetric

Operating technology of the luminaires	
System output	12 W
Voltage type	AC
AC nominal voltage max	230 V
Frequenz max.	50 Hz
Lamp	LED
Protection class	II
Degree of protection	IP20
Control	Trailing-edge phase
Leuchtmittelwechsel möglich	ja
Rated life time L70/B50 at 25 °C	50000 h

Operating technology of driver	
AC nominal voltage max	230 V
Frequenz max.	50 Hz
Protection class	II
Degree of protection	IP20
Control	Trailing-edge phase
Rated life time L70/B50 at 25 °C	50000 h

Mounting technology	
Mounting method	Recessed mounting
Place of installation	Ceiling-mounted
Adjustability	Not adjustable
Further references	No cover with thermal insulation material
Material cover	Plastic, transparent

Packing data	
Gross weight	0.342 kg
Length of packaging	100 mm
Packaging width	100 mm
Packaging height	100 mm