

Sensor-switched LED indoor light - Professional Line

# RS PRO LED Q1

warm white silver

EAN 4007841 007126

Article number 007126



LED

30 years (Ø 4,5h / day)



high frequency sensor 360°



Ø 1 - 8 m



2 - 2000 lux



5 sec - 15 min



soft light start



10 - 50% basic brightness



manual override 4h



networkable wireless

Teach

Teach mode

## Function description

Perfect light pattern. Best technology. RS PRO LED Q1 high-frequency SensorLight, ideal for corridors, thoroughfares and stairwells as well as WC facilities, washrooms and storerooms. 26 W for 2350 lm of light, 360° detection, optional basic light level, integrated wireless interconnection capability, RGS – Remote Group Setting function, lighting groups, including basic light level, can be synchronised, switches OFF in relation to daylight, 3000 K.

# RS PRO LED Q1

warm white silver

EAN 4007841 007126

Article number 007126



## Technical specifications

Dimensions (L x W x H)	56 x 331 x 331 mm	Mechanical scalability	No
Mains power supply	220 – 240 V / 50 – 60 Hz	Reach, radial	Ø 8 m (50 m <sup>2</sup> )
Sensor Technology	High frequency	Reach, tangential	Ø 8 m (50 m <sup>2</sup> )
Transmitter power		Continuous light	selectable
HF-system	5,8 GHz	Photo-cell controller	Yes
Output	26 W	Twilight setting	2 – 2000 lx
Interconnection	Yes	Time setting	5 s – 15 Min.
Type of interconnection	Master/master, Master/slave	Basic light level function	Yes
Interconnection via	Wireless	Basic light level function time	10/30 min, all night
Colour temperature	3000 K	Main light adjustable	50 - 100 %
Colour variation LED	SDCM3	Functions	Group parameterisation, Manual ON / ON-OFF, Master/slave override, Neighbouring group function
Colour Rendering Index	80-89	Soft light start	Yes
With lamp	Yes, STEINEL LED system	Impact resistance	IK03
Lamp	LED cannot be replaced	IP-rating	IP20
LED life expectancy (max. °C)	50000 h	Protection class	II
Drop in luminous flux in accordance with LM80	L70B10	Ambient temperature	-10 – 50 °C
Base	without	Housing material	Aluminium
LED cooling system	Passive Thermo Control	Cover material	Plastic, opal
With motion detector	Yes	Manufacturer's Warranty	5 years
Detection	also through glass, wood and stud walls	Settings via	DIP switches, Potentiometers, Remote control, Smart Remote
Detection angle	360 °	With remote control	No
Angle of aperture	160 °	Installation site	wall, ceiling
Capability of masking out individual segments	Yes	Version	warm white silver
Electronic scalability	Yes	PU1, EAN	4007841007126

## Accessories

EAN 4007841 009151	Remote control Smart Remote
EAN 4007841 007645	RC10 for RS PRO LED Q1

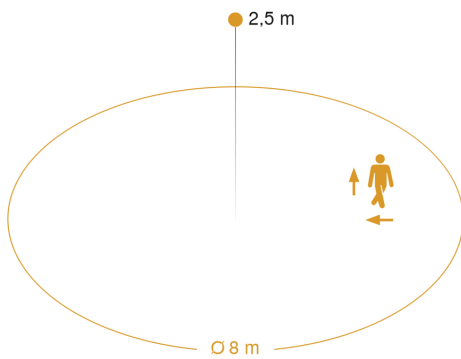
# RS PRO LED Q1

warm white silver

EAN 4007841 007126

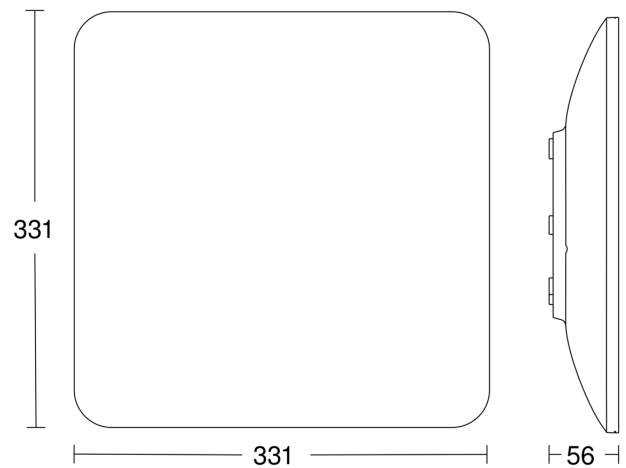
Article number 007126

## Detection Zone

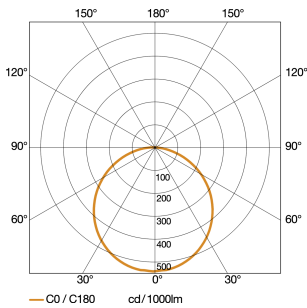


Mögliche Montagehöhe: 2,00 m – 4,00 m  
Orange: radial und tangential

## Dimension Drawing

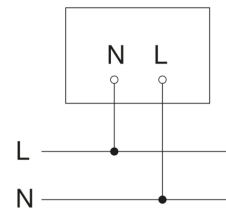


## Light Distribution Curve



<b>Output</b>	26 W
<b>With lamp</b>	Yes, STEINEL LED system
<b>Lamp</b>	LED cannot be replaced
<b>Luminous flux</b>	2350 lm
<b>Colour temperature</b>	3000 K
<b>Colour Rendering Index</b>	80-89
<b>LED life expectancy (max. °C)</b>	50000 h
<b>LED cooling system</b>	Passive Thermo Control

## Slave/wireless master interconnection circuit diagram



Sensor-switched LED indoor light - Professional Line

# RS PRO LED Q1

warm white silver

EAN 4007841 007126

Article number 007126



## Master/master interconnection circuit diagram

