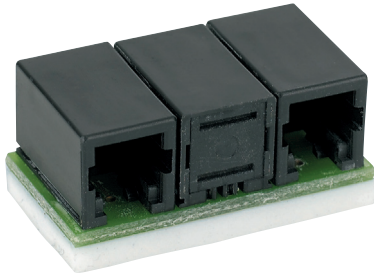
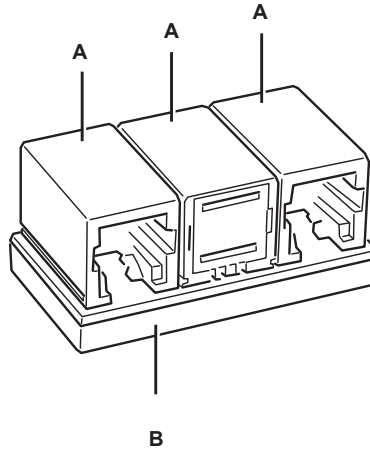


Y-CONNECTOR



Y-connector Fitting instructions

Description



Function and application

The Y-connector is used to connect multiple sensor and control units in a MULTI3/MULTIeco system or for connecting the components of an EASY Color Control system.

The Y-connector is attached using the integrated adhesive pad.

Function

Two sockets are used to connect the system components with the supplied connection cables. The third, vacant socket of the Y-connector can be used to connect additional control units or sensors.

Design

The Y-connector is made up of the following components:

- RJ-11 sockets for device connections (A)
- Adhesive pad (B)

Installation

Safety instructions

The Y-connector must only be installed and put into operation by a qualified electrician.

The applicable safety regulations and accident prevention regulations must be observed.



WARNING!

Exposed, live cables.

Danger of electric shock!

- Only work on the Y-connector when the unit is de-energised.

CAUTION!

Destruction of the Y-connector and other devices due to incorrect installation!

- Do not install the Y-connector in the same housing with other parts that conduct mains voltage.
- Only connect the Y-connector to suitable components.
- For SELV, provide for adequate insulation against parts that conduct mains voltage.
- Do not wire the Y-connector with an external voltage, especially not a mains voltage of 230 V.

Connecting devices

For the type and number of devices that can be connected via the Y-connector, see the separate instructions for each device.

All sockets of the Y-connector are interconnected via 4 pins and are equivalent.

Note:

An example of a wiring diagram is provided in the operating instructions of the control units.

II 2009

Y-CONNECTOR_ma0902en_we1.01.indd

OSRAM GmbH
Kunden Service Center
Customer-Service-Center (CSC)

Steinerne Furt 62
86167 Augsburg
Germany

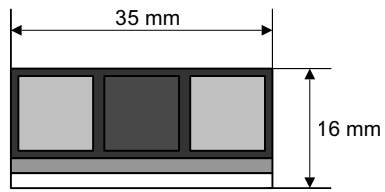
Tel : +49 (0) 1803 677 - 200
(kostenpflichtig / charges apply)
Fax.: +49 (0) 1803 677 - 202

www.osram.com

www.osram.de



4050300803135



Combined control and supply connection	3x 4-pin modular 4p4c sockets Basic insulation as per IEC 664
Connection cable	2x 4-pin modular 4p4c plug Length: 2.1 m
Dimensions (L x W x H)	35 x 18 x 16 mm

The CE requirements are fulfilled: EMC requirements as per EN 61547, low voltage as per EN 60928.



Conformity with the relevant EU directives is confirmed by the CE symbol.