

Motion detector - Professional Line

# IS 3180

DALI-2 IPD - concealed, sq.  
EAN 4007841 057367  
Article number 057367



infrared sensor  
180°



max. 20 m



2 - 1000 lux



IP20



ideal 2.5 - 4 m



energy saving

5 years



manufacturer's  
warranty  
[steinel-professional.de/garantie](https://www.steinel-professional.de/garantie) CE

## Function description

For large areas. Infrared motion detector IS 3180 for indoors and out, ideal for watching over large areas, ideal installation height 2 m, 180° angle of coverage, reach 20 m max. or 8 m max. (tangential), DALI-2 Input Device enables sensors to communicate collected sensor data to higher-level lighting management systems (e.g. LiveLink).

# IS 3180

DALI-2 IPD - concealed, sq.  
 EAN 4007841 057367  
 Article number 057367



## Technical specifications

Type	Motion detectors
Dimensions (L x W x H)	78 x 94 x 94 mm
Mains power supply	12 – 22,5 V / 50 – 60 Hz
Power supply, detail	DALI bus
Number of Dali users	3
Sensor Technology	passive infrared
Application, place	Outdoors, Indoors
Installation site	wall, corner
Installation	Concealed wiring
Mounting height	1,80 – 2,50 m
Reach, radial	r = 4 m (25 m <sup>2</sup> )
Reach, tangential	r = 20 m (628 m <sup>2</sup> )
Detection angle	180 °
Angle of aperture	90 °
Switching zones	448 switching zones
Optimum mounting height	2 m
Mechanical scalability	No
Sneak-by guard	Yes
Capability of masking out individual segments	Yes
Electronic scalability	No
Twilight setting TEACH	No

Twilight setting	2 – 1000 lx
Switching output 1, floating	No
Control output, Dali	Addressable/slave
Constant-lighting control	No
Basic light level function	No
Settings via	Bus
With remote control	No
Interconnection	Yes
Type of interconnection	Master/slave
IP-rating	IP20
Material	Plastic
Ambient temperature	-20 – 50 °C
Application, room	corridor / aisle, function room / ancillary room, stairwell, multi-storey / underground car park, outdoors, all round the building, courtyard & driveway, Indoors
Colour	white
Colour, RAL	9003
IDs, certificates	DALI-2
Manufacturer's Warranty	5 years
Version	DALI-2 IPD - concealed, sq.
PU1, EAN	4007841057367
Technology, sensors	passive infrared, Light sensor

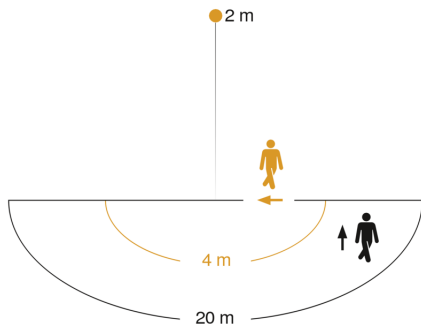
## Accessories

EAN 4007841 009151	Remote control Smart Remote
EAN 4007841 056728	Black cover for IR-sensors

# IS 3180

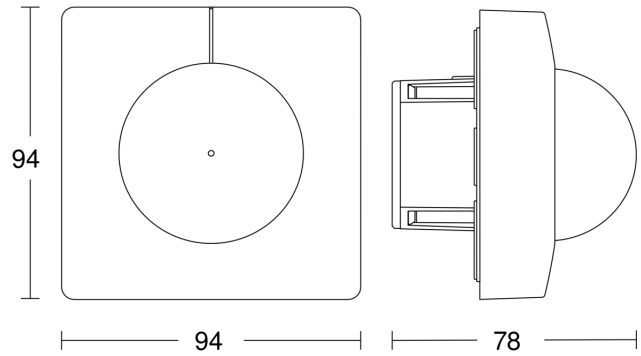
DALI-2 IPD - concealed, sq.  
EAN 4007841 057367  
Article number 057367

## Detection Zone



Mögliche Montagehöhe: 1,80 m – 2,50 m  
Orange: radial  
Schwarz: tangential

## Dimension Drawing



## Circuit diagram

