

Sensor-switched LED outdoor light

L 820 S

V2 Silver

EAN 4007841 671327

Article number 671327



Up-/Downlight

LED

30 years (Ø 4,5h / day)

3000 K

3000K warm-white



intelligent high frequency sensor 160°



1 - 5 m



IP44



2 - 1000 lux



5 sec - 15 min



soft light start



10% basic brightness

Function description

Attention outdoor luminaires. Here comes the new house number. We have thought, pondered, tried, rejected and tested. For the most intelligent house number light we have ever built. For the first time, we have succeeded in integrating the sensor completely invisibly into a light source. The L 820 S sensor outdoor luminaire as an LED uplight and downlight translates intelligence into looks and technology and stages your house number like no other. During development, we were also concerned with the value of the product in the future. Intelligent technology lasts and lasts - it is brighter, cooler and smarter. New: Continuous light 4 hours optional.

L 820 S

V2 Silver

EAN 4007841 671327

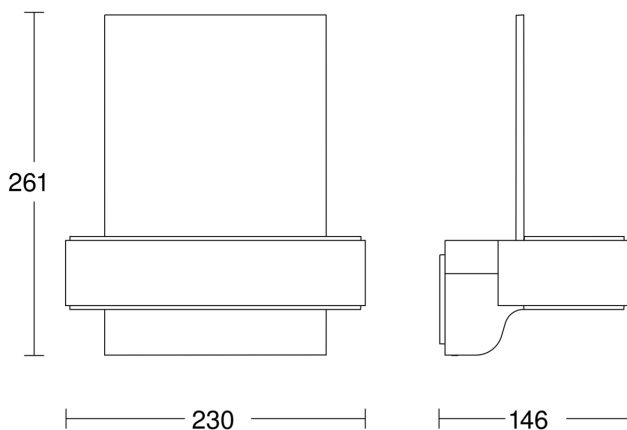
Article number 671327

Technical specifications

Dimensions (L x W x H)	145 x 230 x 260 mm
Mains power supply	220 – 240 V / 50 – 60 Hz
Sensor Technology	iHF (intelligent high-frequency technology)
Transmitter power	
Output	9,8 W
Interconnection	No
Slave mode/selectable	Yes
Lichtstrom Gesamtprodukt	679 lm
Gesamtprodukt Effizienz	69 lm/W
Colour temperature	3000 K
With lamp	Yes, LED lamp
Lamp	LED cannot be replaced
LED life expectancy (25 °C)	> 60000 h
Base	without
LED cooling system	Active and Passive Thermo Control
With motion detector	Yes
Detection angle	160 °
Capability of masking out individual segments	No
Electronic scalability	Yes
Mechanical scalability	No
Reach, radial	r = 5 m (35 m ²)

Reach, tangential	r = 5 m (35 m ²)
Continuous light	selectable, 4h
Photo-cell controller	Yes
Twilight setting	2 – 2000 lx
Time setting	5 s – 15 Min.
Basic light level function	Yes
Basic light level function time	10/30 min, all night
Functions	Motions sensor
Soft light start	Yes
Impact resistance	IK03
IP-rating	IP44
Protection class	II
Ambient temperature	-20 – 40 °C
Housing material	Aluminium
Cover material	Plastic, opal
Manufacturer's Warranty	3 years
Settings via	Potentiometers
With remote control	No
Installation site	wall
Version	Silver
PU1, EAN	4007841671327

Dimension Drawing



Circuit diagram

