

Presence detector - Professional Line

# IR Quattro HD 24m

DALI-2 APC - concealed  
EAN 4007841 002756  
Article number 002756



infrared sensor  
360°



max. 8 x 8 m  
presence

HD

4800 zones

2000 W

2000 W max.  
(LED-ready)



IP20



ideal 2.5 - 10 m



indoor sensor



energy saving

5 years

manufacturer's  
warranty  
[steinel-professional.de/garantie](https://www.steinel.de/garantie)



CE

## Function description

Detection no finer! Infrared presence detector Presence Control PRO IR Quattro HD DALI-2 Application Controller for indoors, ideal for medium to large-size offices, conference and meeting rooms, classrooms and lecture theatres, sports halls and warehouses, installation height up to 10 m, with digital DALI-2 Application Controller interface for controlling 2 lighting channels, 4800 switching zones for the ultimate in detection quality, presence detection over a true 64 m<sup>2</sup>, square detection zone, mechanically scalable.

# IR Quattro HD 24m

DALI-2 APC - concealed

EAN 4007841 002756

Article number 002756



## Technical specifications

Type	Presence detector
Dimensions (L x W x H)	70 x 120 x 120 mm
Mains power supply	230 V / 50 – 60 Hz
Sensor Technology	passive infrared
Application, place	Indoors
Installation site	ceiling
Installation	Concealed wiring
Mounting height	2,50 – 10,00 m
Reach, radial	8 x 8 m (64 m <sup>2</sup> )
Reach, tangential	20 x 20 m (400 m <sup>2</sup> )
Reach, presence	8 x 8 m (64 m <sup>2</sup> )
Detection angle	360 °
Angle of aperture	160 °
Switching zones	4800 switching zones
Optimum mounting height	2,8 m
Mechanical scalability	Yes
Sneak-by guard	Yes
Capability of masking out individual segments	No
Electronic scalability	No
Twilight setting TEACH	Yes
Twilight setting	10 – 1000 lx
Time setting	30 s – 30 Min.

Control output, Dali	Broadcast 2x12 electronic ballasts
Constant-lighting control	Yes
Basic light level function	Yes
Basic light level function in per cent	10 – 50 %
Basic light level function time	1-60 min, all night
Basic light level function percentage, from	10 %
Basic light level function percentage, up to	50 %
Functions	Normal / test mode, Semi-/fully automatic, Pushbutton / switch mode, Manual ON / ON-OFF, Constant-lighting control ON-OFF
Settings via	Remote control, DIP switches, Potentiometers, Smart Remote
With remote control	No
Interconnection	Yes
Type of interconnection	Master/slave
IP-rating	IP20
Material	Plastic
Ambient temperature	-25 – 55 °C
Application, room	classroom, lecture hall, open-plan office, high-bay warehouse, production facilities, conference room / meeting room, duty room, recreation room, changing room, sports hall, reception / lobby, multi-storey / underground car park, Indoors
Colour	white
Colour, RAL	9010
IDs, certificates	DALI-2
Manufacturer's Warranty	5 years
Version	DALI-2 APC - concealed
PU1, EAN	4007841002756

## Accessories

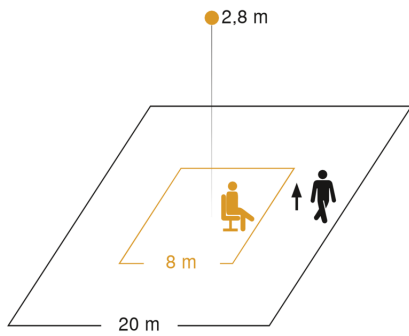
EAN 4007841 592806	User remote control RC5
EAN 4007841 003036	Control PRO guard cage
EAN 4007841 000363	Surface installation adapter Control PRO AP Box (IP54)
EAN 4007841 009151	Remote control Smart Remote
EAN 4007841 559410	Service remote control RC8

# IR Quattro HD 24m

DALI-2 APC - concealed  
 EAN 4007841 002756  
 Article number 002756

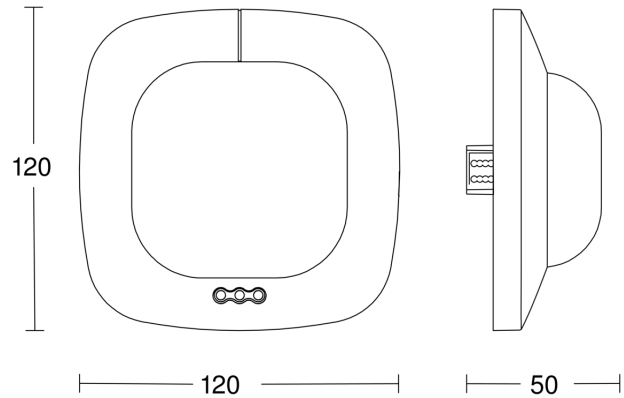


## Detection Zone

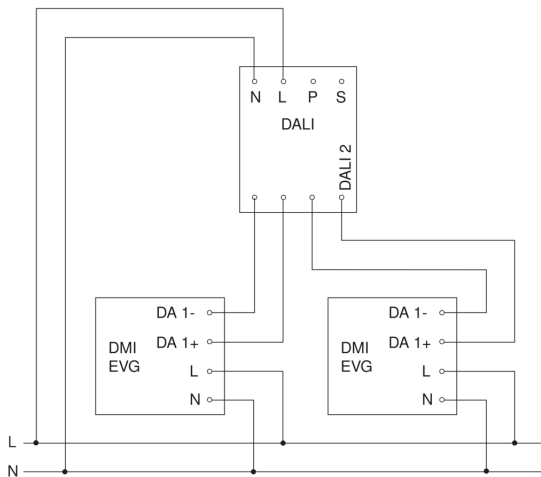


Mögliche Montagehöhe: 2,50 m – 10,00 m  
 Orange: Präsenz  
 Schwarz: tangential

## Dimension Drawing



## Master circuit diagram



## Master/master interconnection circuit diagram

