

Sensor-switched LED outdoor light

L 820 SC

Anthracite

EAN 4007841 065713

Article number 065713



Up-/Downlight

LED

30 years (Ø 4,5h / day)

3000 K

3000K warm-white



intelligent high frequency sensor 160°



1 - 5 m



IP44



2 - 1000 lux



5 sec - 15 min



soft light start



10% basic brightness

Function description

The most modern outdoor light in the world. Designer sensor-switched outdoor light L 820 SC with invisible high-frequency sensor, ideal for building entrances and fronts of buildings, 9,8 W STEINEL LED lighting system, 679 lm, 160° coverage angle, reach from 1 - 5 m, for stylish up and downlighting with house number panel, includes soft light start and optional manual override for 4 hours. Wirelessly interconnectable by Bluetooth and adjustable and controllable via free app.

L 820 SC

Anthracite

EAN 4007841 065713

Article number 065713

Technical specifications

Dimensions (L x W x H)	146 x 230 x 261 mm
Mains power supply	220 – 240 V / 50 – 60 Hz
Sensor Technology	iHF (intelligent high-frequency technology)
Transmitter power	
Output	9,8 W
Interconnection	Yes
Type of interconnection	Master/master
Vernetzung via: Connect Bluetooth Mesh	Bluetooth
Slave modeselectable	Yes
Lichtstrom Gesamtprodukt	679 lm
Stroboskop-Effekt (SVM)	0,9 SVM
Efficiency	69 lm/W
Gesamtprodukt Effizienz	69 lm/W
Colour temperature	3000 K
Colour variation LED	SDCM3
With lamp	Yes, STEINEL LED system
Lamp	LED cannot be replaced
LED life expectancy (25 °C)	> 60000 h
Drop in luminous flux in accordance with LM80	L70B10
Base	without
LED cooling system	Active and Passive Thermo Control
With motion detector	Yes
Detection angle	160 °
Capability of masking out individual segments	No
Electronic scalability	Yes

Mechanical scalability	No
Reach, radial	r = 5 m (35 m ²)
Reach, tangential	r = 5 m (35 m ²)
Continuous light	selectable, 4h
Photo-cell controller	Yes
Twilight setting	2 – 2000 lx
Time setting	5 s – 60 Min.
Basic light level function	Yes
Basic light level function time	1-30 min, all night
Main light adjustable	50 - 100 %
Functions	Motions sensor
Soft light start	Yes
Impact resistance	IK03
IP-rating	IP44
Protection class	II
Ambient temperature	-20 – 40 °C
Transmitter range	30 m
Housing material	Aluminium
Cover material	Plastic, opal
Manufacturer's Warranty	3 years
Settings via	Bluetooth, Connect Bluetooth Mesh, App
With remote control	No
Installation site	wall
Version	Anthracite
PU1, EAN	4007841065713

Sensor-switched LED outdoor light

L 820 SC

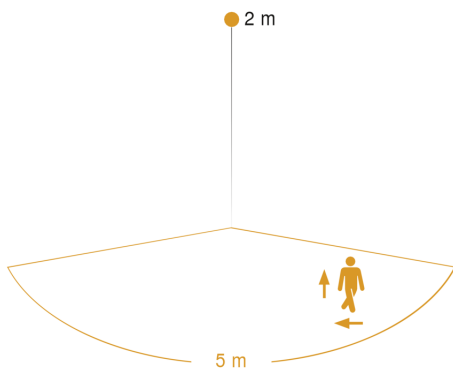
Anthracite

EAN 4007841 065713

Article number 065713

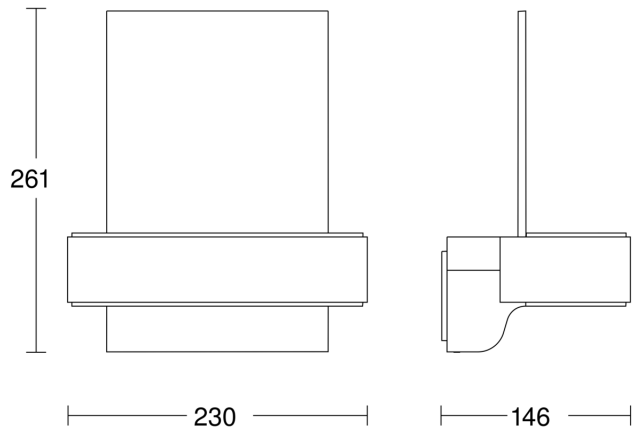


Detection Zone



Mögliche Montagehöhe: 1,80 m – 2,50 m
Orange: radial und tangential

Dimension Drawing



Circuit diagram Bluetooth

