

XLED PRO ONE

Anthracite

EAN 4007841 069513

Article number 069513



| | | | | | | | | | |
|---------------------------|---------------------|------|---------------------|-------------------------|--------------------------|---------------|---------------------------|--|-----------|
| LED | 3000 K | | | | | | | 5 years | CE |
| long life LED 50.000 h | 3000K warm-white | IP44 | Panel 180° vertical | indoor/outdoor light | networkable via cable | energy saving | plastic free packaging | manufacturer's warranty steinel-professional.de/garantie | CE |

Function description

Floodlights redefined. Housed in a sophisticated aluminium enclosure, the 180° vertically swivelling floodlight XLED PRO ONE without sensor guarantees daylight-bright illumination across large areas with warm white 3000 K and 2236 lm at 17,7 W. Suitable for manual switch operation and for cable-based networking in conjunction with a sensor version. With optional surface-mounting adapter. 5-year guarantee.

Technical specifications

| | |
|--|--------------------------|
| Dimensions (L x W x H) | 182 x 229 x 206 mm |
| Mains power supply | 220 – 240 V / 50 – 60 Hz |
| Output | 17,7 W |
| Interconnection | Yes |
| Vernetzung via: Connect Bluetooth Mesh | Cable |
| Lichtstrom Gesamtprodukt | 2236 lm |
| Gesamtprodukt Effizienz | 126 lm/W |
| Colour temperature | 3000 K |
| Colour variation LED | SDCM3 |
| Colour Rendering Index | 80-89 |
| With lamp | Yes, STEINEL LED system |
| Lamp | LED cannot be replaced |
| LED cooling system | Passive Thermo Control |
| With motion detector | No |
| Photo-cell controller | No |

| | |
|----------------------------|-------------------|
| Basic light level function | No |
| Main light adjustable | No |
| Functions | Relay output |
| Impact resistance | IK03 |
| IP-rating | IP44 |
| Protection class | I |
| Ambient temperature | -20 – 40 °C |
| Housing material | Aluminium |
| Cover material | Glass transparent |
| Manufacturer's Warranty | 5 years |
| Installation site | ceiling, wall |
| Cover material | shrouds |
| Version | Anthracite |
| PU1, EAN | 4007841069513 |

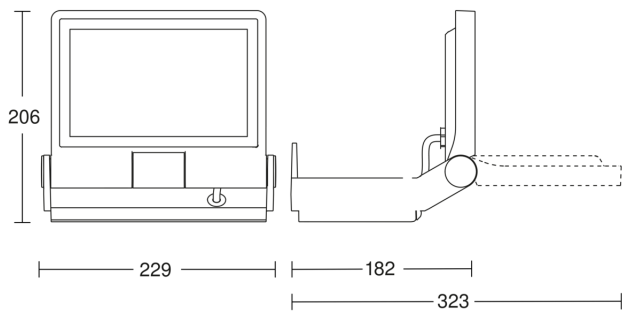
XLED PRO ONE

Anthracite

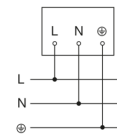
EAN 4007841 069513

Article number 069513

Dimension Drawing



Slave circuit diagram



Master/slave interconnection circuit diagram

