

Motion detector - Professional Line

# IS 2180 ECO

white

EAN 4007841 034696

Article number 034696



infrared sensor  
180°



max. 12 m

2000 W

2000 W max.  
(LED-ready)



IP54



Ideal 2 m



2 - 2000 lux



10 sec - 15 min



in-/ outside corner  
bracket included



energy saving



CE

## Function description

Attractive, clever, efficient. Infrared motion detector IS 2180 ECO for outdoors, ideal for building fronts and properties, medium-sized business and outdoor spaces, ideal installation height 2 m, 180° angle of coverage, reach. 12 m max. or 5 m max. (tangential), selectable time and twilight threshold, manual override, including corner wall mount for external and internal corner.

# IS 2180 ECO

white  
 EAN 4007841 034696  
 Article number 034696



## Technical specifications

Type	Motion detectors
Dimensions (L x W x H)	55 x 78 x 120 mm
Mains power supply	230 – 240 V / 50 Hz
Sensor Technology	passive infrared
Application, place	Outdoors
Installation site	wall, corner
Installation	Surface wiring
Mounting height	1,8 – 4 m
Reach, radial	r = 1.5 m (4 m <sup>2</sup> ) / r = 3 m (14 m <sup>2</sup> )
Reach, tangential	r = 5 m (39 m <sup>2</sup> ) / r = 12 m (226 m <sup>2</sup> )
Detection angle	180 °
Angle of aperture	90 °
Switching zones	504 switching zones
Optimum mounting height	2 m
Mechanical scalability	No
Sneak-by guard	Yes
Capability of masking out individual segments	Yes
Electronic scalability	No
Twilight setting TEACH	No
Twilight setting	2 – 2000 lx
Time setting	10 s – 15 Min.
Output	2000 W
Switching output 1, resistive	2000 W
Switching output 1, number of LEDs / fluorescent lamps	6 pcs.
Fluorescent lamps, electronic ballast	1000 W

Fluorescent lamps, uncorrected	500 VA
Fluorescent lamps, series-corrected	406 VA
Fluorescent lamps, parallel-corrected	406 VA
Switching output 1, low-voltage halogen lamps	1000 VA
LED lamps	16 W
LED lamps > 2 W	64 W
LED lamps > 8 W	64 W
Capacitive load in µF	132 µF
Constant-lighting control	No
Basic light level function	No
Settings via	Potentiometers
With remote control	No
Interconnection	Yes
Type of interconnection	Master/master
IP-rating	IP54
Material	Plastic
Ambient temperature	-20 – 50 °C
Application, room	outdoors, front door, all round the building, terrace / balcony, courtyard & driveway
Colour	white
Colour, RAL	9010
IDs, certificates	VDE
Manufacturer's Warranty	5 years
Version	white
PU1, EAN	4007841034696

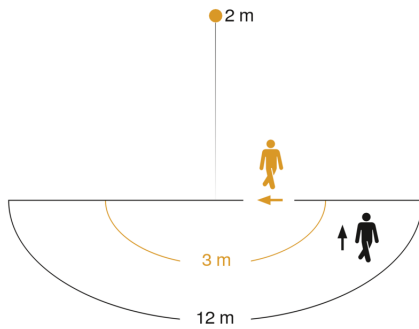
# IS 2180 ECO

white

EAN 4007841 034696

Article number 034696

## Detection Zone

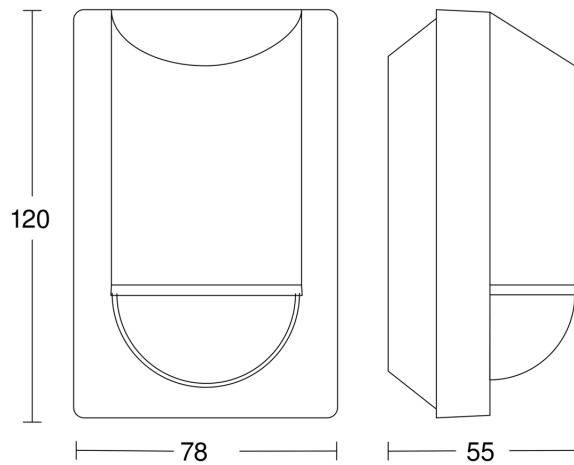


Mögliche Montagehöhe: 1,80 m – 4,00 m

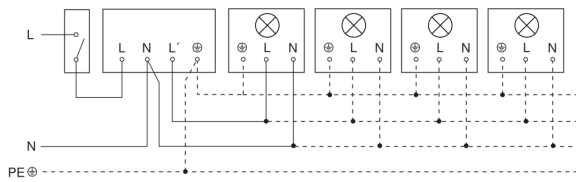
Orange: radial

Schwarz: tangential

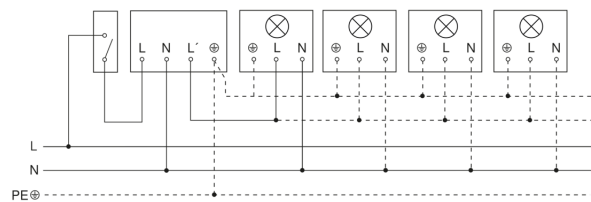
## Dimension Drawing



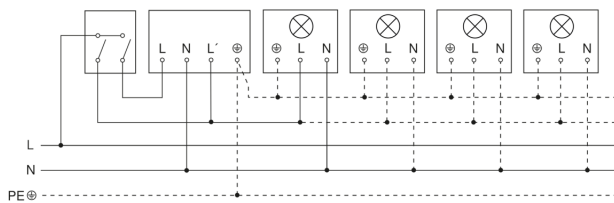
## Light without neutral conductor



## Light with neutral conductor



## Connection using two-circuit switch for manual and automatic operation



## Connection via a two-way switch for manual override and automatic operation

