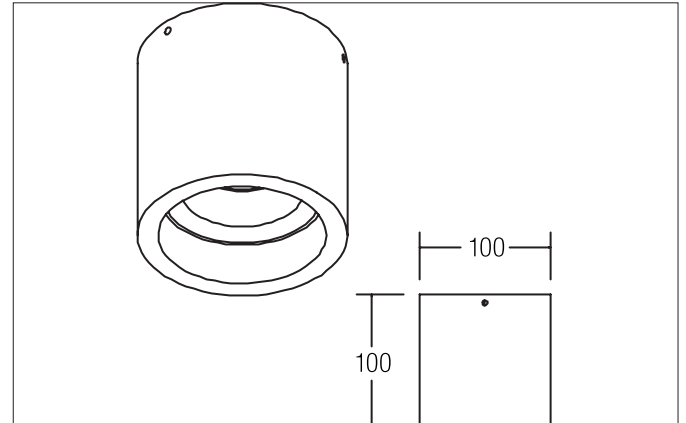


LED surface mounted downlight

Artikel-Nr. 12074183

Licht.
Für Generationen.**Tender**

LED surface mounted downlight, black, round. Surface mounting, Ceiling-mounted Mounting method: Surface mounting, Place of installation: Ceiling-mounted, Material: Aluminium / Glass, Degree of protection: according to DIN EN 60529 IP20, Protection class: (EN 61140) I, Voltage: 230V AC 50Hz, Power: 15W, Amount of light sources / fittings: 1.0 Qty, Luminous flux: 1.125lm, Colour temperature: 3.000 K, Light colour : White, Beam angle: 40°, Adjustability: Not adjustable, With control gear: Yes, Control: on/off.

Article data	
Artikel-Nr.	12074183
GTIN	4250047781455
Kurzbeschreibung	LED surface mounted downlight
Material	Aluminium / Glass
Colour	Black
Type of surface	Matt
Shape	round
Length	100 mm
Width	100 mm
Aufbauhöhe	100 mm
scope of delivery	Incl. converter for connection to the 230-V mains voltage
weight	1.136 kg

LED surface mounted downlight

Artikel-Nr. 12074183

Licht.
Für Generationen.

Lighting technology	
Colour temperature	3000 K
Light colour	White
Light output	Direct
Luminous flux	1,125 lm
System efficiency	75 lm/W
Colour rendering	CRI > 80
Reflector	Without
Beam angle	40 °
Light sharing	Symmetric

Operating technology of the luminaires	
System output	15 W
Voltage type	AC
AC nominal voltage max	230 V
Frequenz max.	50 Hz
Lamp	LED
Protection class	I
Degree of protection	IP20
Control	on/off
Leuchtmittelwechsel möglich	ja

Mounting technology	
Mounting method	Surface mounting
Place of installation	Ceiling-mounted
Adjustability	Not adjustable

Packing data	
Gross weight	1.301 kg
Length of packaging	150 mm
Packaging width	120 mm
Packaging height	160 mm