

Motion detector - Professional Line

HF 3360

PF - concealed, sq.

EAN 4007841 033705

Article number 033705



high frequency
sensor 360°



max. Ø 8 m

2000 W

2000 W max.
(LED-ready)



IP20



2 - 1000 lux



5 sec - 15 min



manual override
4h



ideal 2 - 2,8 m

Teach

Teach mode



energy saving

Function description

Perfection through and through. High-frequency motion detector HF 3360, ideal for basement corridors, stairwells, multi-storey car parks, installation height 2.8 m, 360° angle of coverage, reach 1 – 8 m (radial), detection regardless of temperature, HF-sensor technology also detects movement through glass, wood and stud walls, heavy-duty relay for high switching capacity. Available either in round or square surface-mounted and concealed version.

HF 3360

PF - concealed, sq.
 EAN 4007841 033705
 Article number 033705



Technical specifications

Type	Motion detectors
Dimensions (L x W x H)	64 x 94 x 94 mm
Mains power supply	220 – 240 V / 50 – 60 Hz
Sensor Technology	High frequency
Application, place	Indoors
Installation site	wall, ceiling, corner
Installation	Concealed wiring
Mounting height	2,00 – 4,00 m
Reach, radial	Ø 8 m (50 m ²)
Reach, tangential	Ø 8 m (50 m ²)
HF-system	5,8 GHz
Detection angle	360 °
Angle of aperture	180 °
Optimum mounting height	2,8 m
Mechanical scalability	No
Sneak-by guard	Yes
Capability of masking out individual segments	No
Electronic scalability	Yes
Detection	also through glass, wood and stud walls
Twilight setting TEACH	Yes
Twilight setting	2 – 1000 lx
Time setting	5 s – 15 Min.
Output	2000 W
Fluorescent lamps, electronic ballast	1500 W

Fluorescent lamps, uncorrected	1000 VA
Fluorescent lamps, series-corrected	400 VA
Fluorescent lamps, parallel-corrected	400 VA
Switching output 1, low-voltage halogen lamps	2000 VA
LED lamps	100 W
LED lamps > 2 W	300 W
LED lamps > 8 W	600 W
Capacitive load in µF	176 µF
Constant-lighting control	No
Basic light level function	No
Functions	Normal / test mode, Manual ON / ON-OFF
Einstellungen via: Connect Bluetooth Mesh	Remote control, Potentiometers, Smart Remote
With remote control	No
Interconnection	Yes
Type of interconnection	Master/master
IP-rating	IP20
Material	Plastic
Ambient temperature	-20 – 50 °C
Application, room	function room / ancillary room, stairwell, WC / washroom, multi-storey / underground car park, Indoors
Colour	white
Colour, RAL	9003
Manufacturer's Warranty	5 years
Version	PF - concealed, sq.
PU1, EAN	4007841033705

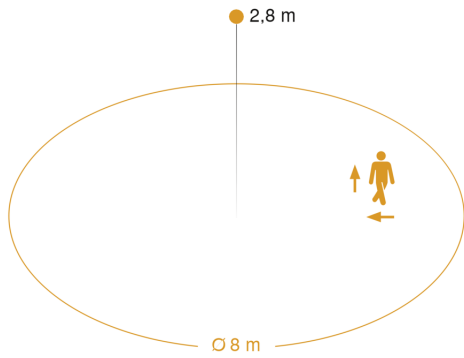
Accessories

EAN 4007841 009151	Remote control Smart Remote
EAN 4007841 559410	Service remote control RC8
EAN 4007841 035174	Corner wall mount 3000
EAN 4007841 056681	Black cover for HF 3360

HF 3360

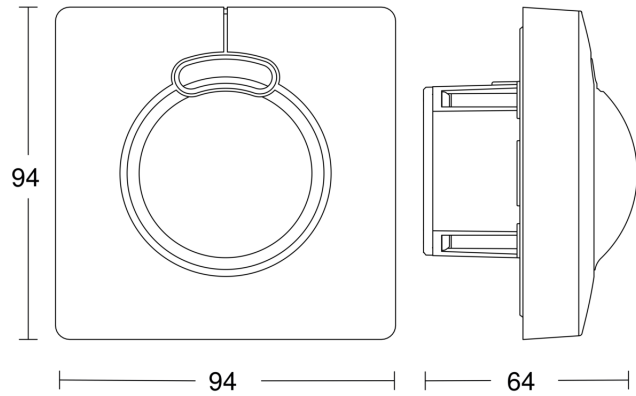
PF - concealed, sq.
EAN 4007841 033705
Article number 033705

Detection Zone



Mögliche Montagehöhe: 2,00 m – 4,00 m
Orange: radial und tangential

Dimension Drawing



Master circuit diagram

