

Motion detector - Professional Line

IS 2160 ECO

white

EAN 4007841 606015

Article number 606015



infrared sensor
160°



max. 12 m

600 W

600 W max.
(LED-ready)



IP54



Sensor 70° ver.,
40° hor.



2 - 2000 lux



8 sec - 35 min



Ideal 2 m



energy saving

5 years

manufacturer's
warranty
[steinell-professional.de/garantie](https://www.steinell.de/garantie)

Function description

This one sees everything. Infrared motion detector IS 2160 ECO for indoors and out, ideal for entrances and the smaller-size property, ideal installation height 2 m, 160° angle of coverage, max. reach 12 m (tangential), selectable time and twilight threshold, turns through 40° and tilts through 70°.

IS 2160 ECO

white

EAN 4007841 606015

Article number 606015



Technical specifications

Type	Motion detectors	Fluorescent lamps, uncorrected	500 VA
Dimensions (L x W x H)	73 x 78 x 113 mm	Fluorescent lamps, series-corrected	406 VA
Mains power supply	230 – 240 V / 50 Hz	Fluorescent lamps, parallel-corrected	406 VA
Sensor Technology	passive infrared	Switching output 1, low-voltage halogen lamps	500 VA
Application, place	Outdoors, Indoors	LED lamps	16 W
Installation site	wall	LED lamps > 2 W	64 W
Installation	Surface wiring	LED lamps > 8 W	64 W
Mounting height	1,80 – 3,00 m	Capacitive load in μF	88 μF
Reach, radial	$r = 3 \text{ m}$ (13 m^2)	Constant-lighting control	No
Reach, tangential	$r = 12 \text{ m}$ (201 m^2)	Basic light level function	No
Detection angle	160 °	Settings via	Potentiometers
Angle of aperture	40 °	With remote control	No
Switching zones	260 switching zones	Interconnection	Yes
Optimum mounting height	2 m	Type of interconnection	Master/master
Mechanical scalability	No	IP-rating	IP54
Sneak-by guard	No	Material	Plastic
Capability of masking out individual segments	Yes	Ambient temperature	-20 – +50 °C
Electronic scalability	No	Application, room	outdoors, front door, all round the building, terrace / balcony, courtyard & driveway
Twilight setting TEACH	No	Colour	white
Twilight setting	2 – 2000 lx	Colour, RAL	9010
Time setting	8 s – 35 Min.	IDs, certificates	VDE
Output	600 W	Manufacturer's Warranty	5 years
Switching output 1, resistive	600 W	Version	white
Switching output 1, number of LEDs / fluorescent lamps	4 pcs.	PU1, EAN	4007841606015
Fluorescent lamps, electronic ballast	430 W		

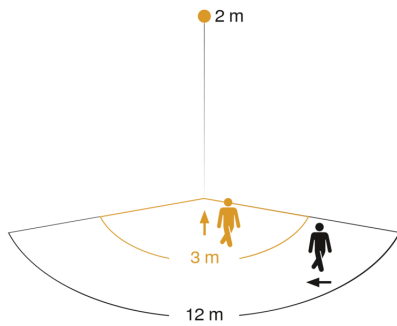
IS 2160 ECO

white

EAN 4007841 606015

Article number 606015

Detection Zone

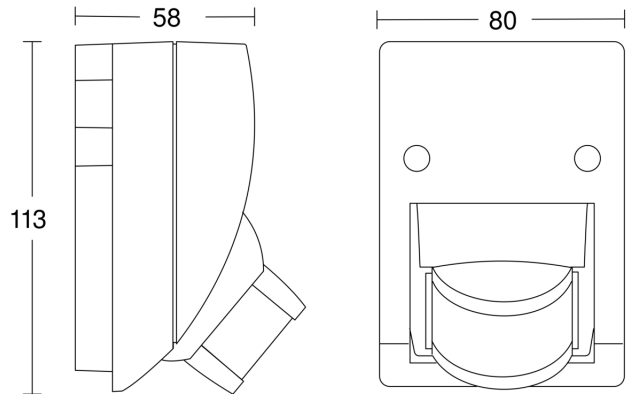


Mögliche Montagehöhe: 1,80 m – 3,00 m

Orange: radial

Schwarz: tangential

Dimension Drawing



Circuit diagram

