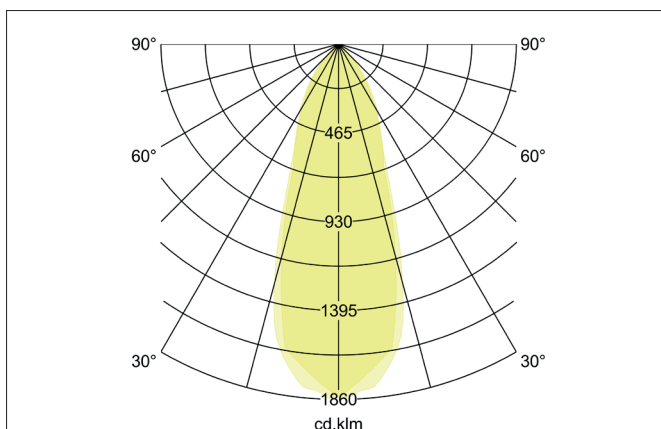
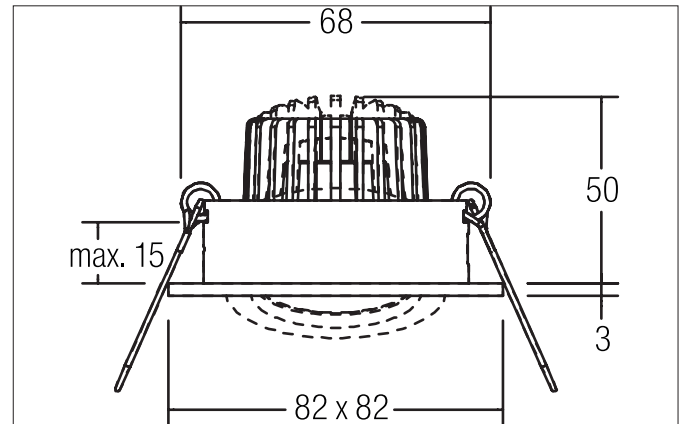


**BB19 LED recessed spot set BB19, dim2warm, phase dimmable,  
incl. connection box**  
Artikel-Nr. 39485073

Licht.  
Für Generationen.



#### Tender

LED recessed spot set BB19, dim2warm, phase dimmable, incl. connection box, white, square. In a compact design, for installation in tool-less rapid assembly systems. If the lamp is dimmed, the color temperature is reduced. Set including a converter for 230-V mains voltage, trailing-edge phase, Dimensions of converter: L 110 x W 50 x H 19 mm. Mounting method: Recessed mounting, Place of installation: Ceiling-mounted, Material: Aluminium / Glass / Plastic, Degree of protection: according to DIN EN 60529 IP20, Protection class: (EN 61140) II, Voltage: 230V AC 50Hz, Power: 6W, Amount of light sources / fittings: 1.0 Qty, Luminous flux: 460lm, Colour temperature: from 1.800 K up to 3.000 K, Beam angle: 38°, Adjustability: Pivoted, With control gear: Yes, Control: Trailing-edge phase.

Article data	
Artikel-Nr.	39485073
GTIN	4251433936909
Series name	BB19
Kurzbeschreibung	LED recessed spot set BB19, dim2warm, phase dimmable, incl. connection box
Material	Aluminium / Glass / Plastic
Colour	White
Type of surface	Glossy
Shape	square
Built-in diameter	68 mm
Installation depth	50 mm
Length	82 mm
Width	82 mm
scope of delivery	Incl. 3-pole connection box to connect to the 230-V mains voltage
weight	0.258 kg

**BB19 LED recessed spot set BB19, dim2warm, phase dimmable,  
incl. connection box**  
Artikel-Nr. 39485073

Licht.  
Für Generationen.

Lighting technology	
Colour temperature	3000 K - 1800 K
Light colour	White
Light output	Direct
Luminous flux	460 lm
System efficiency	77 lm/W
Colour rendering	CRI > 80
Reflector	High-gloss
Reflektorfarbe	silver
Beam angle	38 °
Light sharing	Symmetric

Operating technology of the luminaires	
System output	6 W
Voltage type	AC
AC nominal voltage max	230 V
Frequenz max.	50 Hz
Lamp	LED
Protection class	II
Degree of protection	IP20
Control	Trailing-edge phase
Leuchtmittelwechsel möglich	ja

Operating technology of driver	
Control	Trailing-edge phase

Mounting technology	
Mounting method	Recessed mounting
Place of installation	Ceiling-mounted
Adjustability	Pivoted
Swivel angle	30°
Further references	No cover with thermal insulation material

Packing data	
Gross weight	0.32 kg
Length of packaging	100 mm
Packaging width	100 mm
Packaging height	100 mm